

WEIGHT CLASS

15.8 TONNE

| TB2150 |



**15 TONNE
EXCAVATOR
WITH OFFSET**

TAKEUCHI
Japanese for Reliability

The New TB2150 excavator

powerful 15 tonne excavating

complete with offset boom.

The newly designed TB2150 is the largest excavator in the Takeuchi line-up, meeting the growing demand from contractors and plant hirers for the popular Takeuchi brand in a larger weight class.

The TB2150 combines all the proven characteristics of Takeuchi mini excavators: smooth operating hydraulics, powerful machine performance and excellent serviceability. All enhanced with a unique offset boom for maximum versatility on-site.

It comes complete with the latest Tier 4 powerful Deutz turbocharged engine for more power and greater torque, along with a well proven high performance hydraulic system with improved power, cycle times and efficiency.

With a 15 tonne operating capability the TB2150 offers real power performance, achieved in a compact machine size, with a track footprint of just 2690 x 3580mm.

The TB2150 is part of Takeuchi's on-going commitment to machine development, environmental efficiency, operator comfort, safety and improved machine ergonomics.

POWERFUL BREAKOUT FORCE & OFFSET FLEXIBILITY

The TB2150 features massive breakout force essential for 15 tonne excavating, 98.7kN bucket breakout force and 85 kW of power.

With a unique offset boom not available on conventional machines of this size the TB2150 is truly a unique machine.

The front offset boom gives flexibility to reposition the boom both left and right; operators gain massive versatility when working in restricted areas, without constantly repositioning the machine.

The long reach at ground level to 8320 mm and digging depth to 5225 mm provides excellent operating parameters.

With improved hydraulic flows and three auxiliary lines now as standard, the TB2150 can operate with a greater range of attachments.



The boom configuration is unique and allows the TB2150 to function like Takeuchi's smaller excavators. Maximum versatility on sites when working in tight spaces – no more constant machine repositioning – simply use the offset both left and right (77°/53°).





SAFETY

With an overall compact design and rounded corners the TB2150 minimises potential machine damage. Hydraulic hoses are positioned to prevent damage from attachments.. Front mounted LED work lights and a reversing camera with in-cab display improve job site safety.

Spring applied brakes on travel and slew motors are hydraulically released for a safe reliable brake performance.

Boom and arm holding valves with audible warning as standard on the TB2150, help maintain load control in the event of a hose failure.

The TB2150 offers excellent lifting capability. Dual boom cylinders with hose burst check valve provide added lifting power and additional clearance for bucket and attachments.

HEAVY DUTY DESIGN

Takeuchi offer as standard a heavy duty 550mm high and 2690mm wide dozer blade.

With increased operating range for efficient on-site grading and finishing with added stability when lifting. The wide dozer has two well protected cylinders for added durability.

Cast steel wraparound with 100% steel panels protects the engine compartment and offers key component protection.



For a large sized machine the TB2150 still enjoys the precise proportional hydraulic controls – smooth joystick controls offer finger touch sensitivity critical in certain applications.

With a really compact track footprint of just 2690 x 3580mm combined with an offset boom, the TB2150 gets to work in spaces other conventional machines can't go.

Operators enjoy the smooth operation and powerful digging force of a TB2150. The isolation mounted cab provides all day operating comfort essential for rugged tough terrain and groundworks.

Regarded as a high specification machine with plenty of value added features, owner operators really appreciate the power, performance and reliability of the TB2150.

With a reputation for reliability, Japanese build quality makes all the difference.

ENVIRONMENTAL SENSITIVITY

New series Tier 4 Deutz engine is designed to meet the most stringent worldwide exhaust emission standards and also provides significantly reduced noise levels for minimal disturbance in urban areas.

Full opening rear engine compartment allows daily machine servicing to be conveniently accomplished from ground level.

**SERVICEABILITY**

The fuel system automatically bleeds air from fuel lines on a fuel-depleted machine saving on time, tools and unnecessary service calls.

Hydraulic test ports are conveniently located for ease of hydraulic system diagnostic testing.

Auto-stop refuelling pump makes it easier for operators, with room for grease gun storage for daily maintenance.

RELIABLE TRACK DESIGN

Triple flange rollers and maintenance free bearings add to tracking performance for rough terrain to provide many hours of continuous service.

**PERFORMANCE**

- Powerful new diesel engine provides massive output to 85 kW.
- Simultaneous operation of swing and digging function and two speed travel gives faster cycle times.
- Added offset position RH 53° and LH 77° gives massive flexibility on restricted sites.

OPERATION

- Auxiliary hoses are easy to attach and well positioned high up the dipper arm for added protection.
- Cushioned main boom and swing cylinders for smooth operation.
- The TB2150 has two speed tracking with auto step down when dozing.
- Well positioned Enhanced Visual Display Unit - warning indicators, rpm, hour meter, fuel, battery charge, temperature, oil pressure and maintenance alerts.

SAFETY & SERVICE

- As standard service features: Safe Drain engine oil system, fuel gauges in both cab and filler point, fuel drain system, hydraulic oil cooler, maintenance free battery.
- Boom and cab mounted LED work lights provide for all types of working conditions.
- Enhanced 100% steel wraparound frame protects key components.

OPTIONS

- TKB802-S Breaker
- Hydraulic Hitches
- Bucket sizes from 450 – 1200mm digging, 1800mm ditch
- Rubber Tracks





MAXIMUM ALL DAY COMFORT WITH A HIGH VISIBILITY CAB

Multi-adjustable high-back air suspension seat, with arm rests for long days of productive operation with minimal operator fatigue.

Roomy comfortable cab with excellent storage and foot room. Good ergonomic controls positioned for ease of access.

Heater / air conditioner provides a comfortable operating environment in all climates.

Isolated mounted ROPS/TOPS/FOPS cab minimises noise levels and vibration.

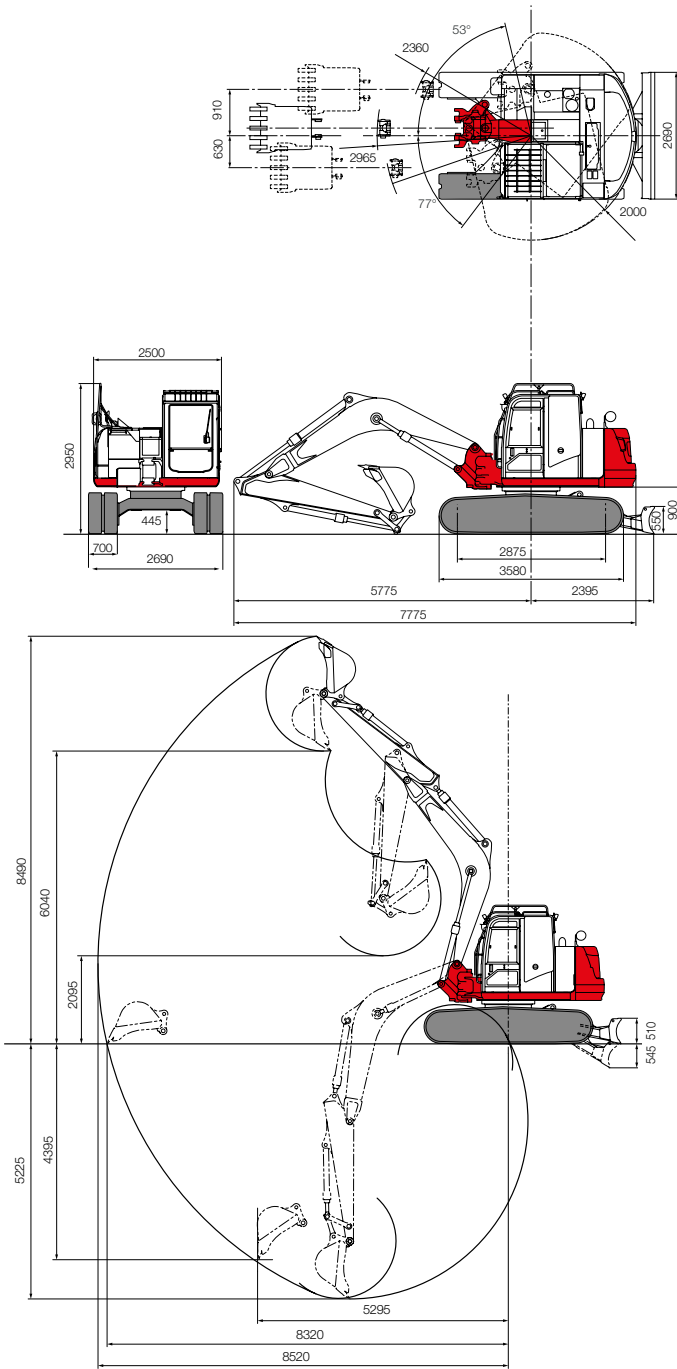
The operators station gives good all round visibility, with reversing camera and 7" in-cab display.



EASY OPERATION & CONTROLS

- Hydraulic auxiliary attachments are operated by momentary push button or proportionally controlled by the slider switch on the joystick.
- Engine accelerator control conveniently located on right hand armrest.
- Automatic two speed travel shifts into high torque mode when turning, pushing or travelling over inclines. Travel motors are equipped with shock-less valves for smooth start and stop.
- Boom swing is operated by a foot pedal.
- Easy access electric refuelling pump as standard with auto shut off, stowed in own compartment.
- Auto decel function helps reduce fuel consumption when the excavator is temporarily idled.





For more information locally
call us direct, or contact:



Takeuchi Mfg (UK) Ltd, Unit E2B Kingsway Business Park,
John Boyd Dunlop Drive, Rochdale, Lancashire OL16 4NG
Tel: 01706 657 722 Fax: 01706 657 744

Southern Depot at 20 Colthrop Business Park
Colthrop Lane, Thatcham, Newbury, Berks RG19 4NB
Tel: 01635 877 196 Fax: 01635 877 195

www.takeuchi-mfg.co.uk Email: sales@takeuchi-mfg.co.uk

TB2150 Standard UK Specification
Middle Arm - Steel as Standard (Rubber Track option)

Engine	
Make	DEUTZ
Model	TCD3.6L4
Rated Output (kW)	85 / 2000
Maximum Torque (Nm)	460
Cylinders	4
Displacement (cc)	3621
Electrical System	24 volt
Dimensions & Weight	
Operating weight (bucket, hitch, fuel) kg	15860
Length (Transporting) (mm)	7775
Width (mm)	2690
Height (mm)	2950
Ground Clearance (mm)	445
Min Radius/Max Front Offset (mm)	2965/2360
Slew Radius (mm)	2000
Dozer Blade (W x H) (mm)	2690 x 550
Operating Information	
Max Digging Depth (mm)	5225
Max Dump Height (mm)	6040
Max Reach at Ground Level (mm)	8320
Max Vertical Dig Depth (mm)	4395
Max Bucket Digging Force (kN)	98.7
Max Arm Digging Force (kN)	64.9
Max Lift at Full Reach rear/front (mm)*	1619
Max Lift at Full Reach over side (mm)*	1397
Max Lift rear/front/side (mm)*	6302
Hydraulic System	
Set Pressure (bar)	340
Pump Type	Variable Displacement
Hydraulic Pump Flow Aux port (l/min)	224
Swing System	
Min Front Offset Swing (mm)	2360
Tail Swing (mm)	2000
Boom Swing Angle (L/R)	77°/53°
Slew Speed (rpm)	10.8
Slew Motor	Piston
Slew Brake	Disc
Undercarriage	
Traction Motor	Variable Displacement
Traction Drive	Epicyclic Gearing
Traction Brake	Disc
Track Width (mm)	700
Ground Contact Length (mm)	2875
Ground Pressure (kpa)	35
Travel Speed (k/ph)	3.1 / 5.5
Maximum Gradeability	35°
Capacities	
Hydraulic System (l)	234
Fuel Tank (l)	278
Engine Lubrication (l)	10
Cooling System (l)	27

OPTIONS: Takeuchi hydraulic breaker, buckets and hydraulic hitches.

3/2019

*Lifting; the mass weight of slings / hitches / bucket to be deducted from the rated load to determine the net load that may be lifted.

Takeuchi machines come with a 2 year/2000 hours warranty as standard. Warranty exceptions to 1 year; fuel injection systems, electrical components, paint work.

In accordance with our established policy of constant improvement, we reserve the right to amend these specifications at any time without notice. Photographs shown may feature non-standard equipment.