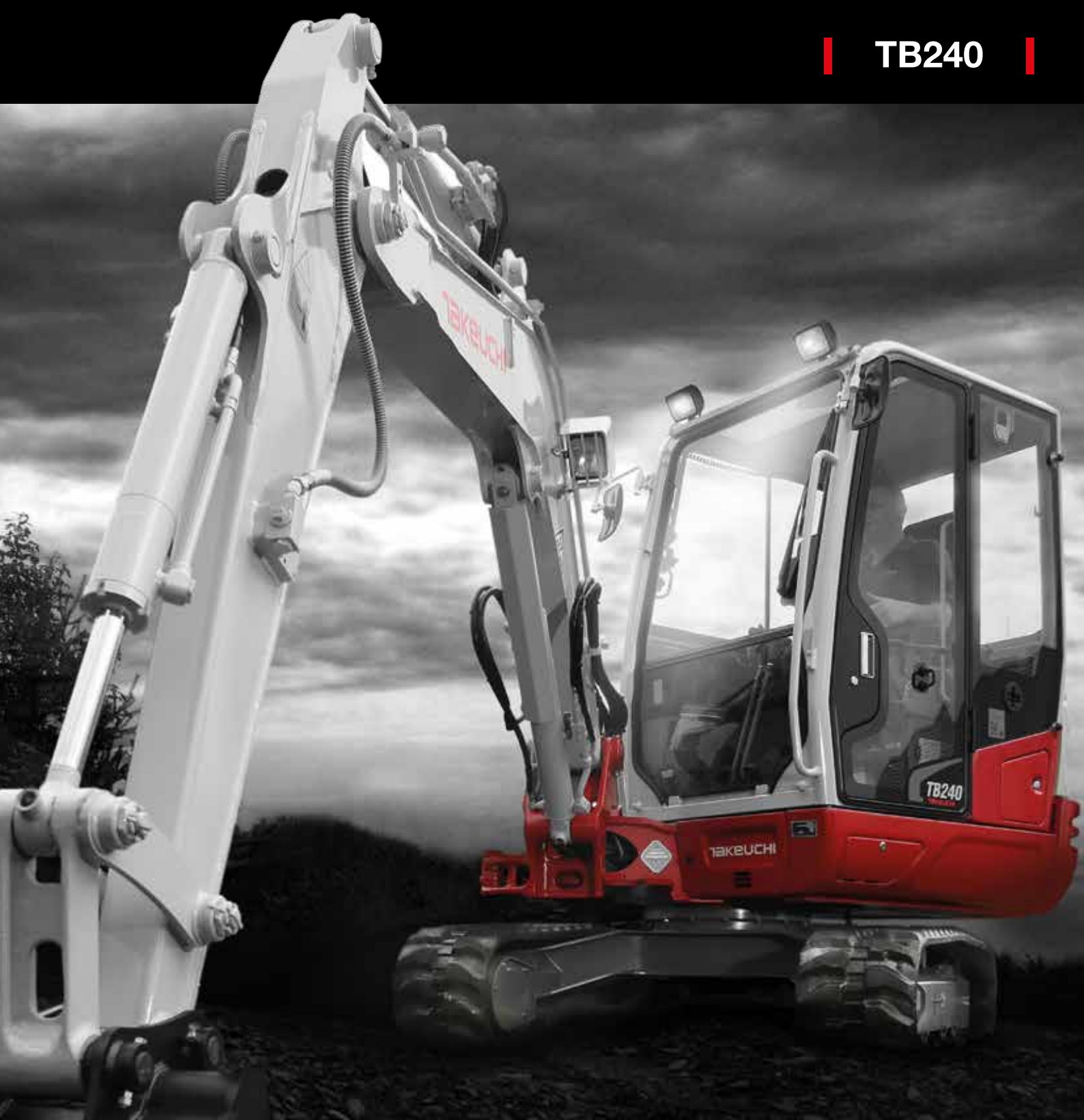


| TB240 |



# COMPACT EXCAVATOR



**TAKEUCHI**  
Japanese for Reliability

# Takeuchi's New 4 tonne - powerful excavating

The TB240 combines all the proven characteristics of Takeuchi excavators - smooth hydraulics, powerful machine performance and good serviceability into a larger sized machine.



## 4 TONNE POWER PERFORMANCE

The TB240 is a powerful yet compact overall machine in the 4 tonne excavator class.

The TB240 offers maximum performance with excellent bucket breakout force of 30.8kN and 18.3kN arm digging force, powered by a 27.2kW Yanmar 4 cylinder engine.

## RELIABILITY

The TB240 has well protected hydraulic hoses across the entire machine.

Boom and arm holding valves as standard to maintain load control if hoses fail.

Triple flange rollers for superior track retention even in the toughest terrain.

## PROTECT YOUR INVESTMENT

The TB240 now comes with the new TSS **Takeuchi Security System** as standard.





## NEW STYLED CAB

The newly designed 4 tonne has the new stylish cab as seen on larger Takeuchi machines.

Large and comfortable with excellent all-round visibility. Excellent operator accessibility with well positioned colour VDU illuminates active operating switch functions.

Standard features include top window with sun shade, air con/climate control,MP3 socket, adjustable high back seat and arm rests.



## PERFORMANCE

- Excellent dig depth to 3465mm and ground reach 5425mm.
- Proven strong track frame design offers excellent balance and stability with a longer than average track frame (1645mm ).
- Two speed tracking with auto step down when dozing.
- Auxiliary hoses are easy to attach and well positioned high up the dipper arm for added protection.

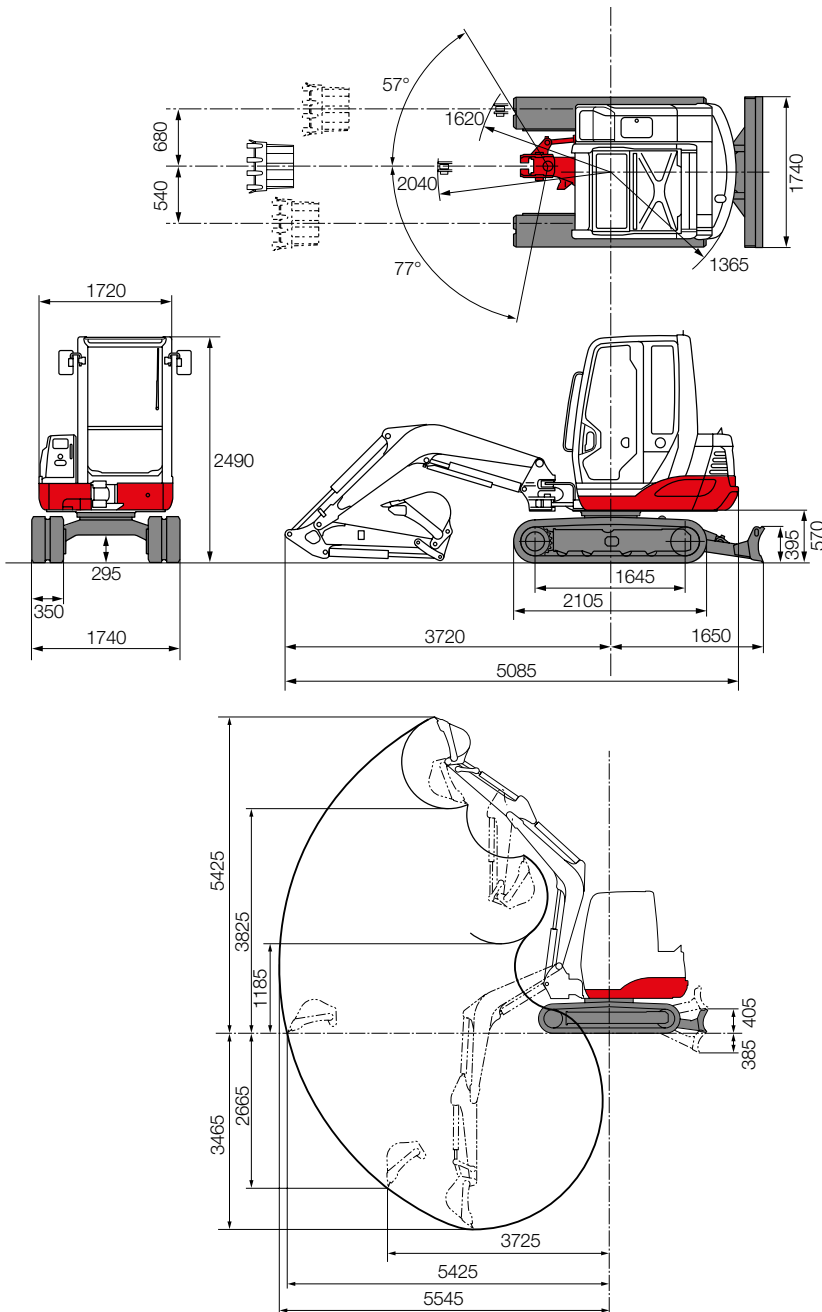
## OPERATION

- Compact size with slew radius of just 1365mm, added offset position RH 55° and LH 75°.
- Cushioned main boom and swing cylinders for smooth operation.
- Boom and cab mounted work light for all types of working conditions.
- Well positioned enhanced Colour VDU - warning indicators, rpm, hour meter, fuel, battery charge, temperature, oil pressures and maintenance alerts.
- Heavy duty dozer with added protection of the ram.

## SAFETY & SERVICE

- Enhanced 100% steel wraparound frame protects all the key components. Flat glass panels make replacement an affordable option.
- Easy access to all service points around the machine.
- Standard service features include: safe drain engine oil system, fuel gauge at filler and in cab, fuel drain system, hydraulic oil cooler and maintenance free battery.



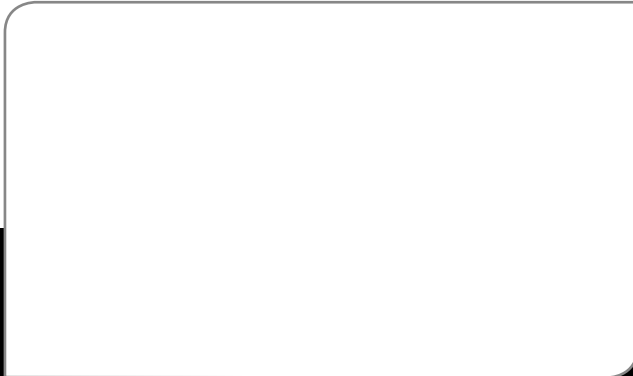


**TB240** Standard UK Specification  
Long Arm/Rubber Tracks Dimensions Rubber/Steel

Engine	
Make	YANMAR
Model	4TNV88C-ZSTB
Rated Output (kW)/rpm	27.2/2200
Maximum Torque (Nm)	142.6
Cylinders	4
Displacement (cc)	2189
Electrical System	12 VOLT 54 amp
Dimensions & Weight	
Operating Weight inclusive of bucket and fuel (kg)	4060
Overall Length (mm) for transport	5085
Width (mm)	1740
Height (mm)	2490
Ground Clearance (mm)	295
Min. Front Swing Radius (mm)	1620
Slew Radius (mm)	1365
Dozer Blade (W x H) (mm)	1740 x 395
Operating Information	
Max Digging Depth (mm)	3465
Max Dump Height (mm)	3825
Max Reach at Ground Level (mm)	5425
Max Reach at Vertical Digging Depth (mm)	3725
Max Bucket Digging Force (kN)	30.8
Max Arm Digging Force (kN)	18.3
Hydraulic System	
Set Pressure (bar)	240
Pump Type	Variable Displacement
Swing System	
Boom Swing Angle (R/L)	57°/77°
Slew Speed (rpm)	4.6
Slew Motor	Constant Volume Piston Motor
Slew Brake	Disc
Undercarriage	
Traction Motor	Variable Displacement
Traction Drive	Planetary Epicyclic Gear
Traction Brake	Wet Friction Plate
Track Width (mm)	350
Ground Contact Length (mm)	1645
Ground Pressure (kpa)	31.1
Travel Speed (km/h)	2.9/5.3
Maximum Gradeability	30°
Capacities	
Hydraulic System (l)	74
Fuel Tank (l)	70
Engine Lubrication (l)	7.4
Cooling System (l)	9

**For more information locally**

call us direct, or contact:



Takeuchi Mfg (UK) Ltd, Unit E2B Kingsway Business Park,  
John Boyd Dunlop Drive, Rochdale, Lancashire OL16 4NG  
Tel: 01706 657 722 Fax: 01706 657 744

Southern Depot at 20 Colthrop Business Park  
Colthrop Lane, Thatcham, Newbury, Berks RG19 4NB  
Tel: 01635 877 196 Fax: 01635 877 195

[www.takeuchi-mfg.co.uk](http://www.takeuchi-mfg.co.uk) Email: [sales@takeuchi-mfg.co.uk](mailto:sales@takeuchi-mfg.co.uk)

**OPTIONS:** TKB302-S hydraulic breaker, hitches and bucket sizes from 150 - 1000mm.

8/2017

Takeuchi machines come with a 2 year/2000 hours warranty as standard. Warranty exceptions to 1 year; fuel injection systems, electrical components, paint work.

In accordance with our established policy of constant improvement, we reserve the right to amend these specifications at any time without notice. Photographs shown may feature non-standard equipment.

**TAKEUCHI**  
Japanese for Reliability