

# SPECIFICATIONS





## BASIC SPECIFICATIONS

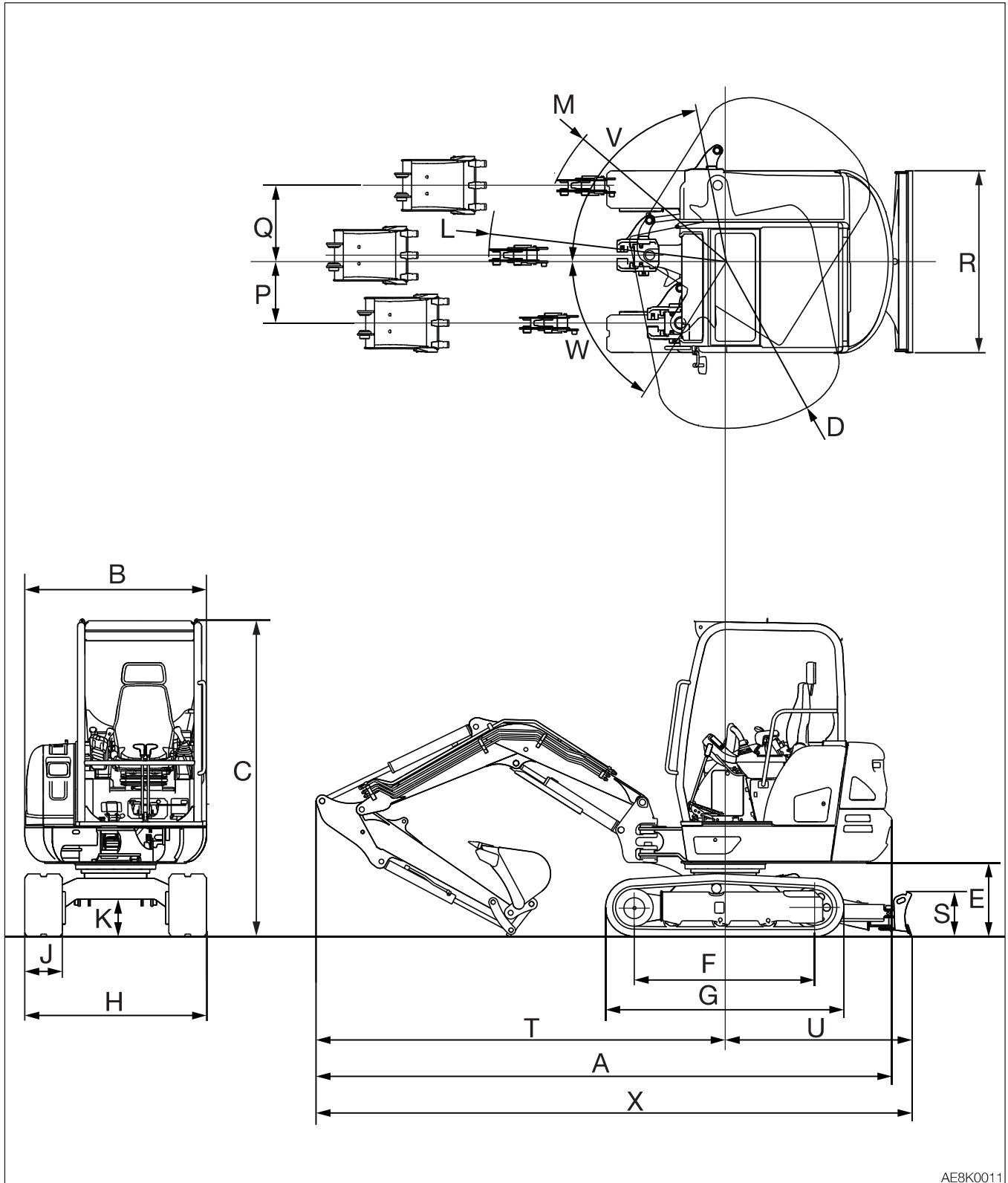
Type		Canopy	Cab	
<b>MASS</b>				
Operating mass	kg (lb)	Rubber crawlers	2810 (6195)      2875 (6338)	
<b>PERFORMANCE</b>				
Bucket capacity (Standard bucket)	m <sup>3</sup> (cu. ft.)	Heaped	0.068 (2.4)	
		Struck	0.051 (1.8)	
Slew speed	min <sup>-1</sup> (rpm)		10.3 (10.3)	
Travel speed	km/h (mph)	Rubber crawlers	1st	2.9 (1.8)
			2nd	5.2 (3.23)
Gradeability	(degrees)		30	
Ground pressure	kPa (psi)	Rubber crawlers	28.7 (4.16)      29.3 (4.25)	
Noise level	dB (A)	Sound power level	L <sub>WA</sub> 93	
		Sound pressure level	L <sub>pA</sub> 78	
<b>ENGINE</b>				
Manufacturer and model		Yanmar 3TNV88F- EPTB1	Yanmar 3TNV88F- EPTB	
Rated output	Net (ISO 14396)	kW/min <sup>-1</sup> (hp/rpm)	18.2/2400 (24.4/2400)	
	Net (ISO 9249/ SAEJ1349)	kW/min <sup>-1</sup> (hp/rpm)	17.6/2400 (23.6/2400)	
Displacement		ml (cu.in.)	1642 (100.2)	
Starter		V-kW	12-1.7	
Alternator		V-kW	12-0.66	
Battery (IEC 60095-1)		V-A·h	12-64	

# MEMO

---



# MACHINE DIMENSIONS



AE8K0011



**SPECIFICATIONS**  
**MACHINE DIMENSIONS**

Unit: mm (inch)

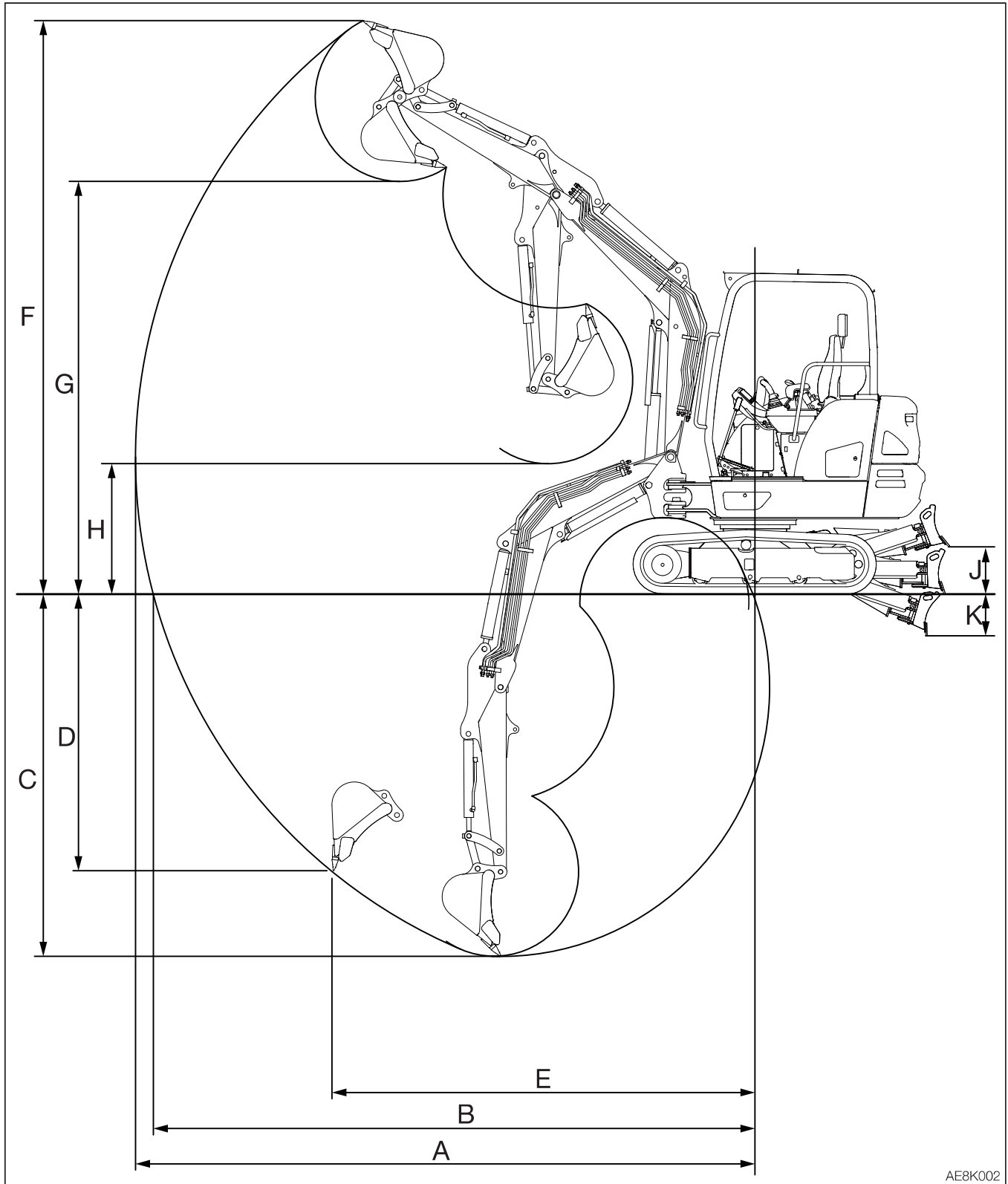
	Item	Long arm
		Rubber crawlers
<b>A</b>	Overall length	4595 (180.9)
<b>B</b>	Upperstructure overall width	1460 (57.5)
<b>C</b>	Overall height	2540 (100) 2525 (99.3)**
<b>D</b>	Slew radius	1330 (52.4)
<b>E</b>	Clearance height under upperstructure	590 (23.2)
<b>F</b>	Crawler base	1440 (56.7)
<b>G</b>	Crawler overall length	1900 (74.9)
<b>H</b>	Crawler overall width	1450 (57.1)
<b>J</b>	Crawler shoe width	300 (11.8)
<b>K</b>	Ground clearance of undercarriage	305 (11.9)
<b>L</b>	Minimum radius of equipment and attachment	1895 (74.7)
<b>M</b>	Minimum radius of equipment at maximum front offset	1505 (59.2)
<b>P</b>	Offset distance of bucket (right swing)	490 (19.3)
<b>Q</b>	Offset distance of bucket (left swing)	610 (23.9)
<b>R</b>	Dozer blade width	1450 (57.1)
<b>S</b>	Dozer blade height	355 (14.0)
<b>T</b>	Front distance to axis of rotation	3265 (128.5)
<b>U</b>	Dozer blade distance to axis of rotation	1455 (57.3) 1480 (58.3)*
<b>V</b>	Boom swing angle (Left)	79°
<b>W</b>	Boom swing angle (Right)	58°
<b>X</b>	Overall length (dozer blade at rear)	4730 (186.3) 4755 (187.2)*

\* : With an angle dozer blade

\*\* : Cab



# OPERATING RANGES



AE8K002



SPECIFICATIONS  
**OPERATING RANGES**

Unit: mm (inch)

	Item	Long arm
		Rubber crawlers
<b>A</b>	Maximum reach	4850 (190.9)
<b>B</b>	Maximum reach at ground reference plane	4710 (185.4)
<b>C</b>	Maximum digging depth	2835 (111.6)
<b>D</b>	Maximum vertical digging depth	2165 (85.2)
<b>E</b>	Reach at maximum vertical digging depth	3310 (130.4)
<b>F</b>	Maximum height of cutting edge	4490 (176.7)
<b>G</b>	Maximum dumping height	3230 (127.2)
<b>H</b>	Minimum dumping height	1020 (40.2)
<b>J</b>	Dozer blade maximum lifting	380 (15.0) 370 (14.5)*
<b>K</b>	Dozer blade maximum lowering	310 (12.2) 325 (12.9)*

\*: With an angle dozer blade

# MEMO

---





## LIFTING CAPACITIES

### Rated lift capacity chart

- The loads in the charts do not exceed 87% of hydraulic lift capacity or 75% of tipping load.
- Figures marked with an asterisk (\*) are hydraulically-limited capacities.
- The mass of slings and any other lifting devices shall be deducted from the rated load to determine the net load that may be lifted.
- The load point is the bucket hinge pin, and the bucket posture is with the standard bucket completely retracted under the arm.
- Unit: daN (lbs)

### Load hooking system

A load hooking system must be provided with the following capabilities.

1. A system which can withstand twice the rated lift capacity no matter at what position the load is applied.
2. A system that poses no risk of the lifted load falling from the hooking device. For example, equipped with a hook slippage prevention device.
3. A system that poses no risk of the hooking system slipping from the hoe attachment.



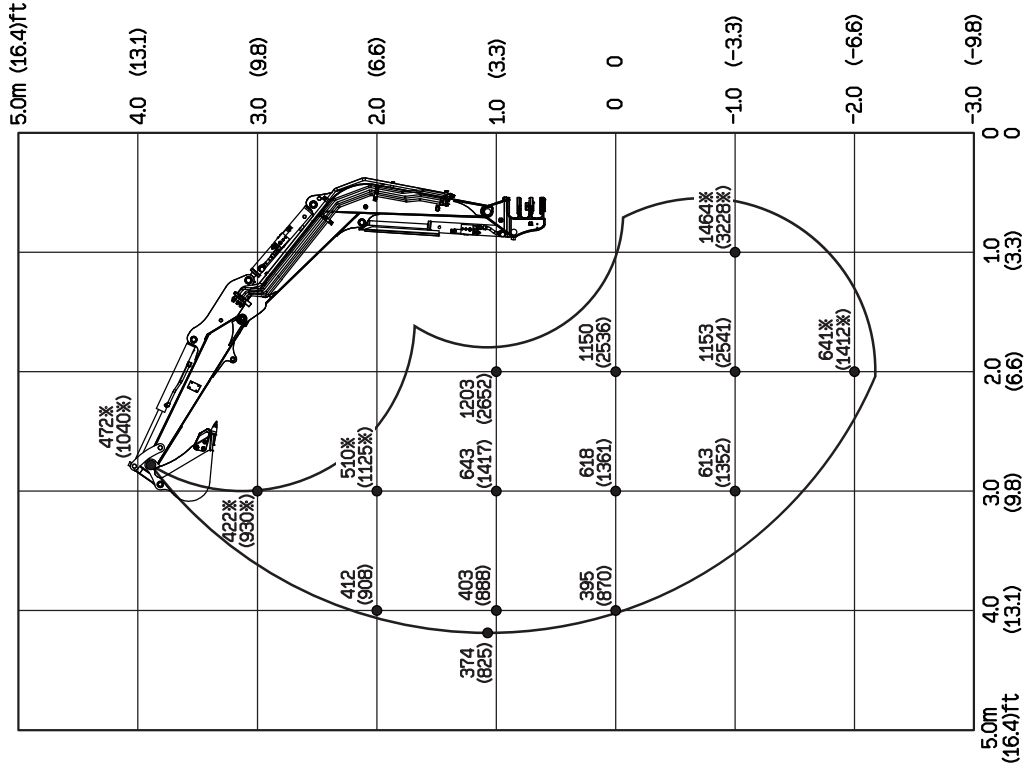
### WARNING

- Do not attempt to lift or hold any load that is greater than these rated values at their specified load radii and height.
- The rated lift capacities are based on the machine being level and situated on a firm supporting surface. For safe lifting, the operator is expected to make due allowance for the particular job conditions such as soft or uneven ground, non-level condition, load to the machine sides, hazardous conditions, experience of personnel, etc. The operator and other personnel should fully acquaint themselves with the operator's manual furnished by the manufacturer before operating this machine. When operating the machine, the safety rules of the equipment must also be followed.
- Do not travel while lifting a load; It is very dangerous.



<Cab> Long arm

Over Front ; Dozer Blade Up



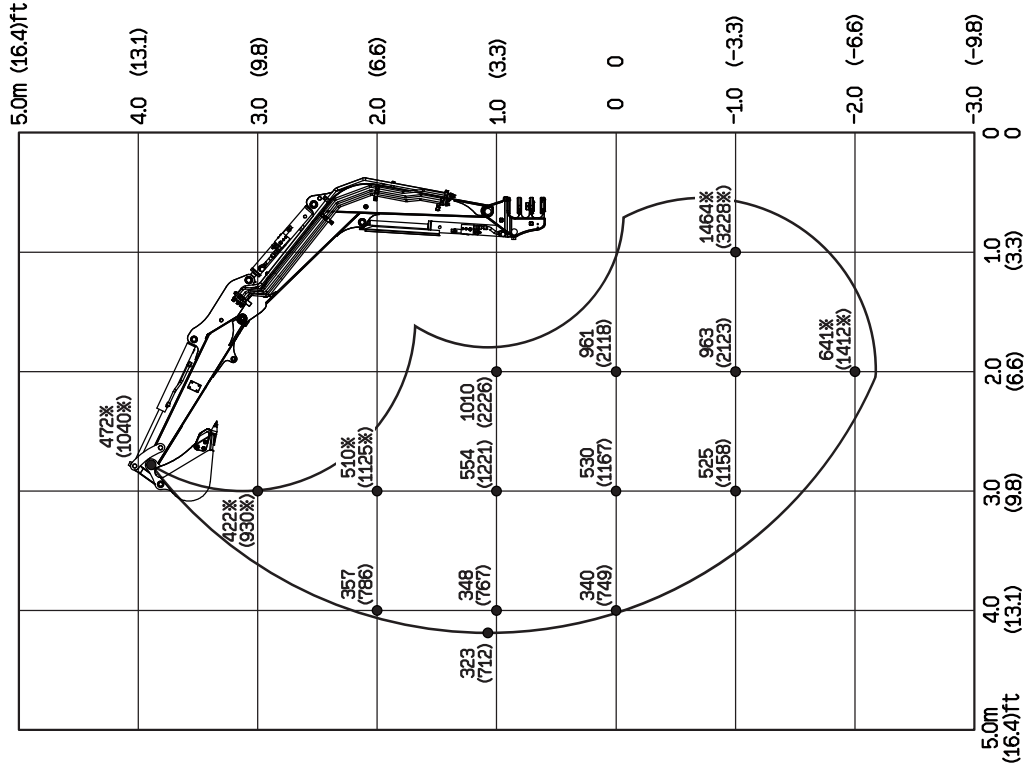
Units: daN(lbs.)



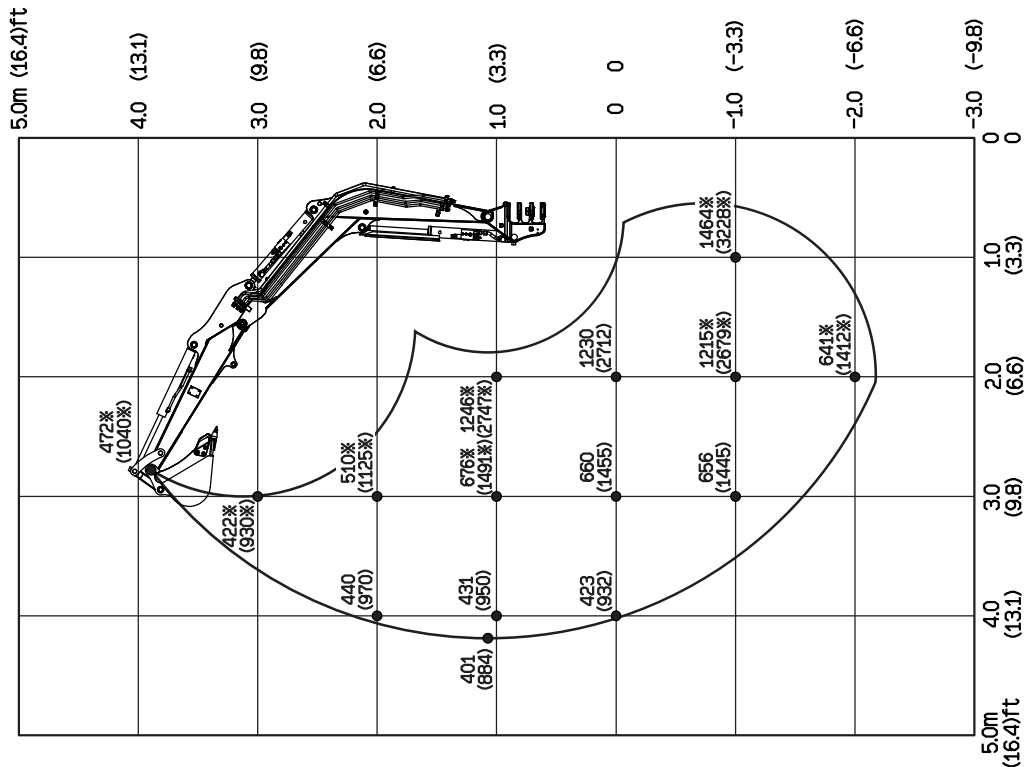
SPECIFICATIONS  
LIFTING CAPACITIES

<Cab> Long arm

Over Side



Over Rear

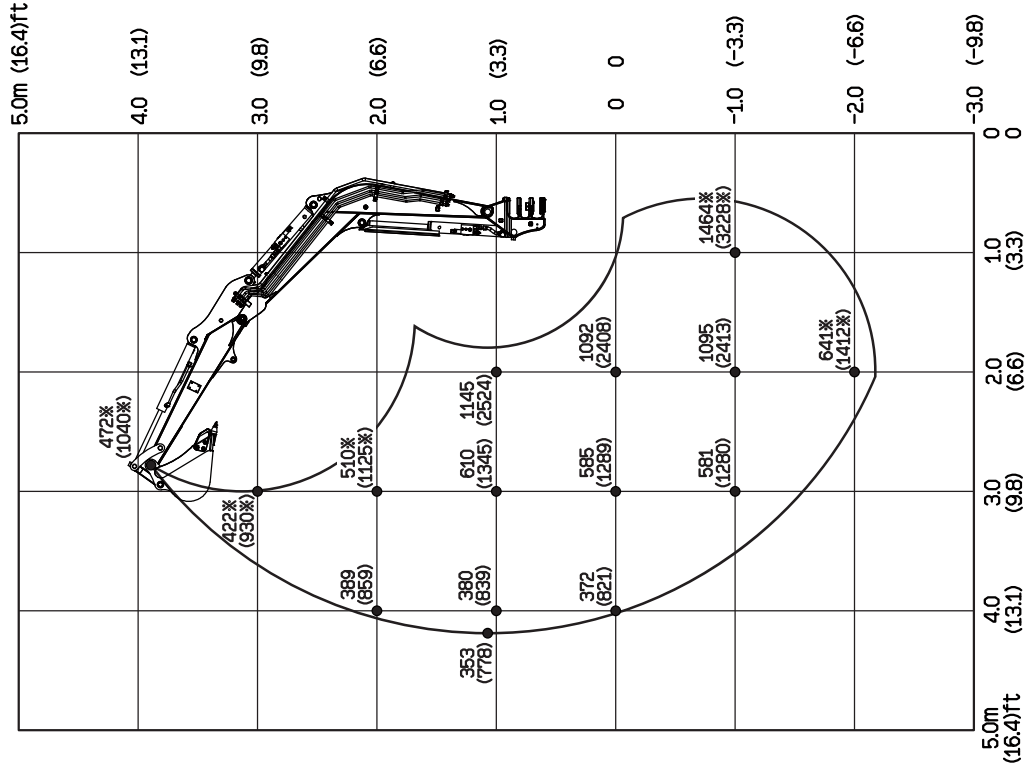


Units: daN(lbs.)



<Canopy> Long arm

Over Front ; Dozer Blade Up

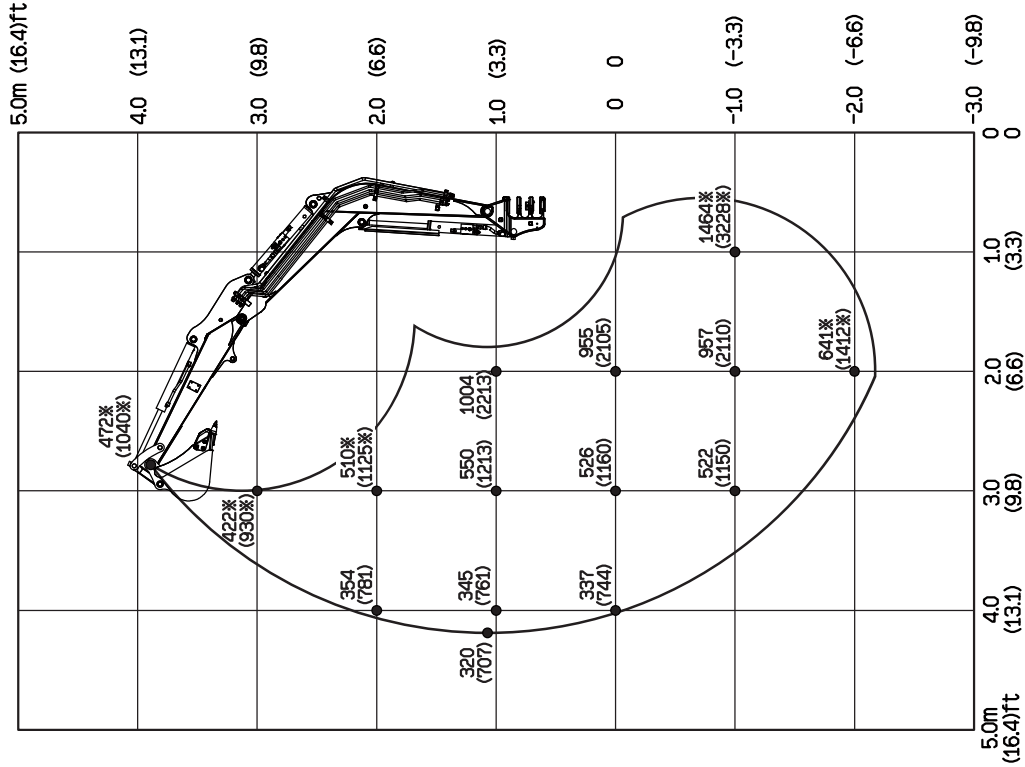


Units: daN(lbs.)

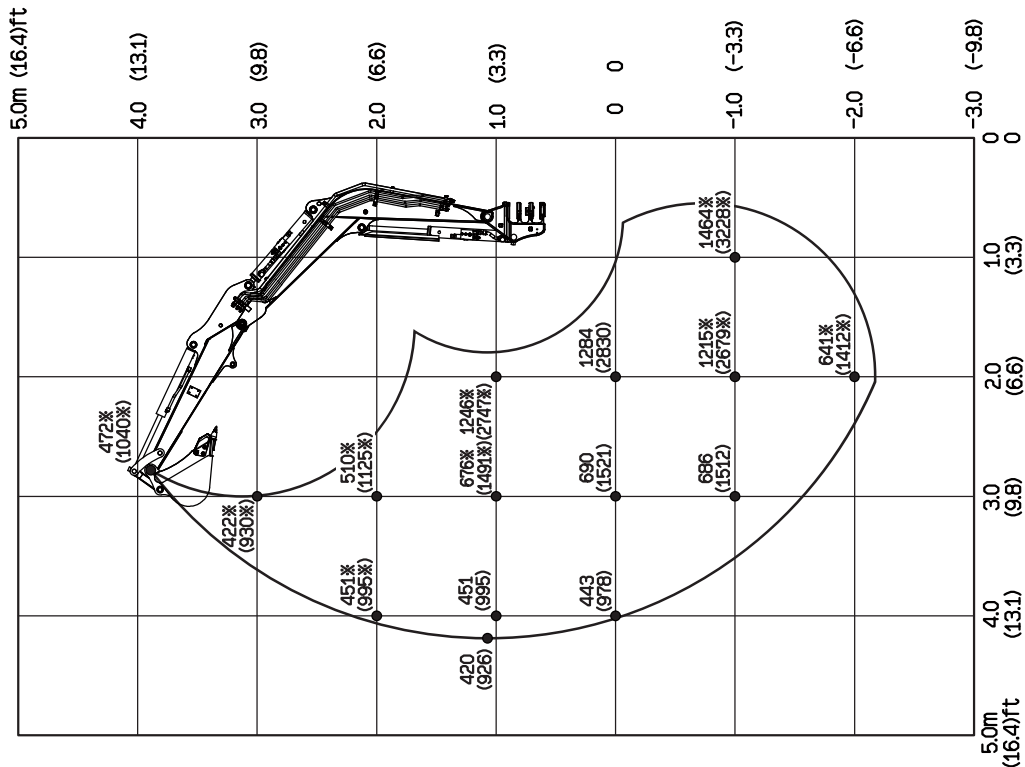


<Canopy> Long arm

Over Side



Over Rear



Units: daN(lbs.)

