

**TB257FR**  
**6-TONNE**



**SHORT TAIL  
SWING EXCAVATOR**

**STS BOOM**

**TAKEUCHI**<sup>®</sup>  
From World First to World Leader

# TB257FR Side to Side (STS) short tail swing excavator

The TB257FR features a unique patented side-to-side (STS) offset boom coupled with the near zero tail swing for unrivalled versatility and visibility on site.

The unique FR design provides for parallel trenching right next to walls and buildings. A floor mounted pedal allows you to position the STS offset boom anywhere across the front of the machine without any reduction in dig depth or ground reach. Operators no longer need to reposition the tracks for the optimum excavating angles, they simply let the STS offset boom do all the work.

The STS offset combined with the near zero tail swing delivers the most versatile compact machine for site. The FR range are the only excavators that can fully retract the boom and loaded digging bucket then rotate 360°, while only exceeding the track by 180mm. (Digging bucket up to 630mm).

The TB257FR has a low centre of gravity and optimized counterweight creating an extremely stable platform with lifting capabilities similar to that of a conventional machine.

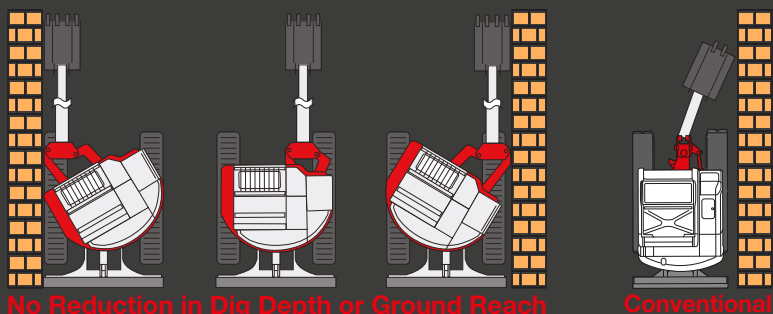
## HEAVY-DUTY OFFSET

The heavy-duty STS offset boom is engineered for robust operating. The oversized slew bearing and ring gear combines with heavy-duty steel boom bracket bushes, for maximum longevity. Designed for durability, easy lubrication and maintenance.



## SIDE-TO-SIDE STS BOOM

- EXCAVATES WALL-SIDE BOTH LEFT & RIGHT
- NO REDUCTION IN DIG DEPTH
- NO REDUCTION IN GROUND REACH
- SIMPLY REPOSITION THE BOOM BRACKET ACROSS THE FRONT RADIUS



## MAXIMUM FUEL EFFICIENCY

Fuel Saving Features:

- Automatic idle
- Economy work-mode
- Electronic engine monitoring
- Electric dial throttle control
- Two-speed tracking with auto step down
- TFM - Remote utilisation data



## OPERATOR COMFORT

The operator will appreciate the spacious, well-appointed cab that is similar in size to the 8-tonne TB280FR. The stylish cab features air-con as standard, deluxe highback seat and adjustable arm rests.

The large multi-function display highlights real time machine health and vital, rocker switches control the wide range of functions.

Short stroke joysticks are low effort and very precise. The accumulator assisted pilot controls combined with cushioned boom, arm and offset cylinders, help reduce shock and vibrations for a smooth machine operation.

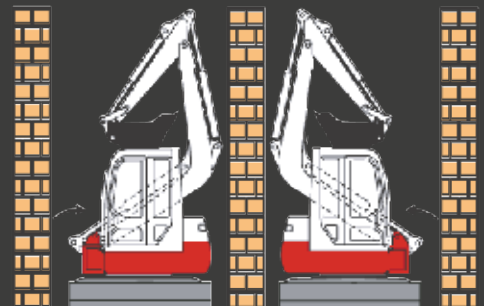
LED workzone lighting ensures excellent visibility in low light conditions.

**STAGE V** ✓  
**COMPLIANT**



## WORKS IN TIGHT SPACES

- FULLY RETRACTS THE BOOM WITH A FULL LOAD USING A DIGGING BUCKET UP TO 630mm
- EXCEEDS TRACKS BY ONLY 180mm
- NO NEED TO MOVE THE MACHINE







## STANDARD FEATURES

(see website for the complete features list)

### OPERATOR STATION

- Steel tilt-up cab (ROP /TOPS /OPG)
- Adjustable deluxe highback seat with retracting seat belt and adjustable armrests
- Radio with stereo speakers MW/FM/ USB/ Bluetooth
- AC/ multi vent heater/ de-mister
- Gas lift-assist window slides into recess
- Skylight with retractable sunshade
- Front screen rain guard
- Extended folding foot travel pedals

### ELECTRICAL

- Internal/ external power sockets - 12V
- Switched roof beacon power socket - 12V
- LED workzone lights
- Travel alarm
- Emergency engine shut-down switch
- Electrical refuelling pump

### ENGINE

- DOC+DPF exhaust after treatment
- Dual fuel filtration - water trap
- Dual element air filter
- Automatic idle
- Service interval - 500 hours
- Working modes: Standard/ Eco/ Altitude



### HYDRAULICS

- Cushioned boom, arm and offset cylinders
- Boom and arm holding check valves
- Lift overload alarm
- Aux flows/ pressure - touchscreen adjustable
- Multi-attachment presets - password secure
- 1-way/2-way flow selector
- Aux with independent isolation valves
- Proportional auxiliary controls with detent
- Aux ports: 1st + 2nd standard, 3rd (pre-piped for hydraulic hitch)

### UNDERCARRIAGE AND FRAME

- Dozer with switch activated blade float
- Triple flanged track rollers & sealed bearings
- Tie down points

### COMPATIBLE BREAKER

The TB257FR is compatible with a Takeuchi TKB302-S sound suppressed hydraulic breaker. Designed to meet the requirement for quieter operating environments.



### ATTACHMENT READY

The TB257FR comes factory fitted with steel hydraulic hitch pipe work with safe hand/foot activation switches.

Convenient 1st and 2nd auxiliary circuits and quick hitch are plumbed to the mid-arm.

The dual flow hydraulic lines are operated by sliders on both levers, for smooth control of variable flow and detent to accommodate a range of attachments.

With matching TB250-2 pin and link dimensions, all attachments are interchangeable.

Auxiliary flows adjustable from the VDU with optional password secure presets.

### NEAR ZERO TAIL SWING

The unique FR design is what sets the TB257FR apart from conventional machines.

The compact near-zero tail only extends 180mm beyond the track. It gets the TB257FR into spaces other conventional excavators cannot operate.



### SWITCH ACTIVATED BLADE FLOAT

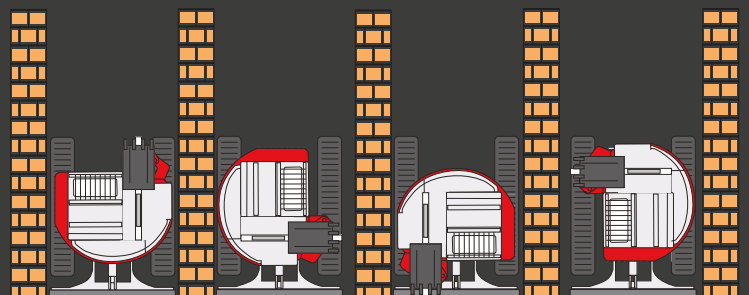
To maximise ground finishing on-site the switch activated blade float is fitted as standard.

A heavy-duty dozer blade with a blade cylinder protection guard.

Exposed ground level hydraulic hoses are spiral steel wrapped for added protection.

## 360° FUNCTIONALITY

- MORE VERSATILE THAN A FIXED BOOM
- THE ONLY 6-TONNE EXCAVATOR THAT CAN DIG IN-FRONT AND LOAD BEHIND IN A CONFINED SPACE
- ROTATES 360°, ONLY EXCEEDS TRACKS BY 180mm



# TB257FR SHORT TAIL SWING EXCAVATOR



## SERVICEABILITY

Maintenance and serviceability is enhanced with the quick access forward tilting cab design. Providing easy access to the engine for daily checks and service.

Rear full width service engine hood, lockable and hinged overhead for quick maintenance and access to engine oil filling point with filter, fuel and pilot line filter.

The off-side service door swings out for maximum access to side-by-side cooling units and access to the battery and air filters.

The lower off-side locking door gives easy access to fuel filler points. The electric refuelling pump with fast fill-up and auto shut off, has a filtered suction hose and integrated non return valve.

The off-side upper service door provides access to the hydraulic filter, fill points and the breaker flow-tap.

## EASY MAINTENANCE

Maintenance and serviceability are a key feature of a the TB257FR.

The rear engine components, control valve, piping, swivel joint and slew motor are all exceptionally accessible.



## TSS - TAKEUCHI SECURITY SYSTEM

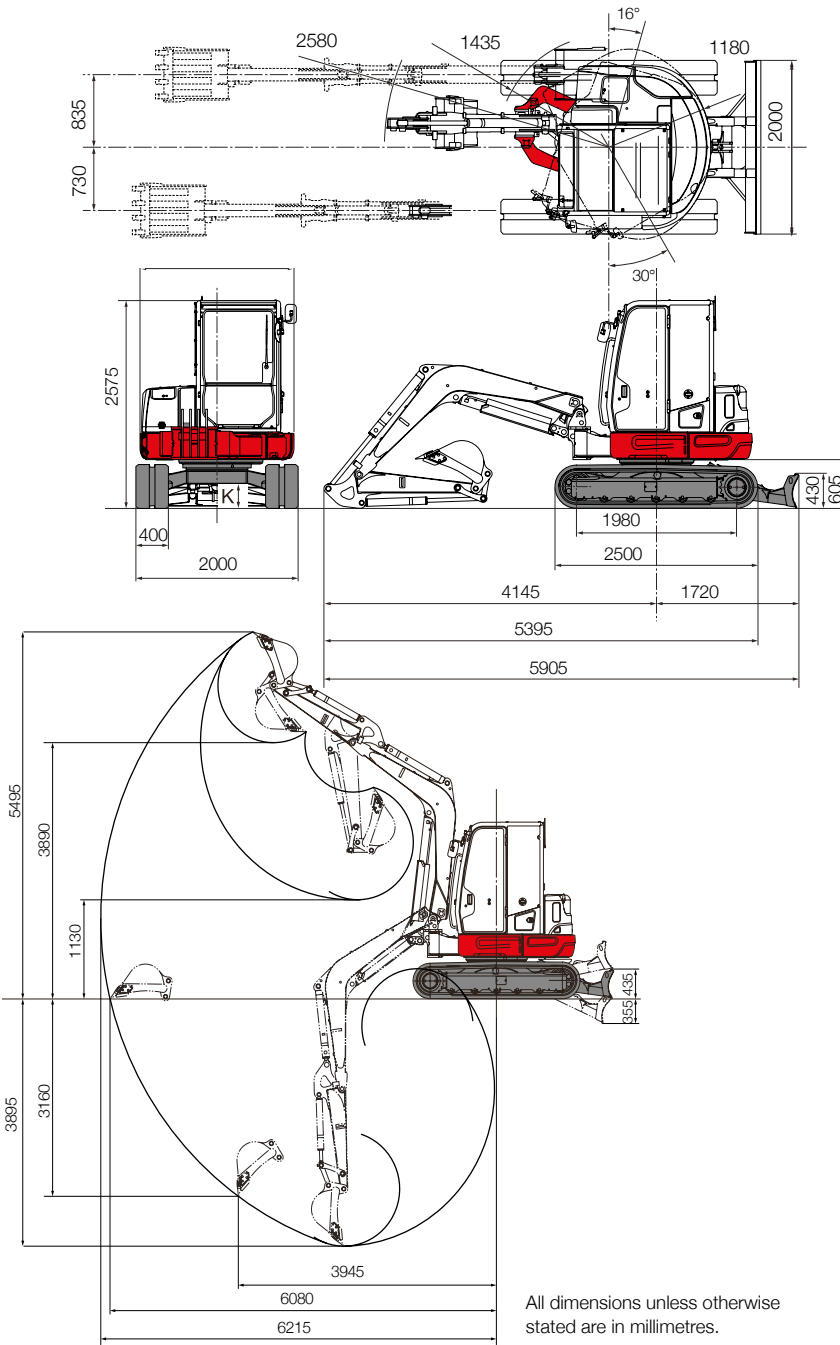
The TB257FR comes with TSS as standard. Includes 1 red master key and 3 black user keys. Can programme up to 13 user keys.



## TFM - TAKEUCHI FLEET MANAGEMENT

TFM is a remote **TELEMATICS** system, using real time data to better manage your fleet and lower overall operating costs. Free of charge in warranty period.

# TB257FR SHORT TAIL SWING EXCAVATOR



## TB257FR

Standard UK Specification Long Arm / Rubber Tracks

Engine	
Make	KUBOTA
Model	V2403-CR-TE5B
Rated Output (kW)	39.0 / 2200
Cylinders	4
Maximum Torque (Nm)	195.6
Displacement (cc)	2434
Electrical System	12v 90A

Dimensions & Weight	
Op. Weight (bucket, hitch, fuel) kg	6061
Length (Transporting) (mm)	5395
Width (mm)	2000
Height (mm)	2575
Ground Clearance (mm)	300
Front Swing Radius (mm)	1435
Slew Radius (mm)	1180
Dozer Blade (W x H) (mm)	2000 x 430

Operating Information	
Max Digging Depth (mm)	3895
Max Dump Height (mm)	3890
Max Reach at Ground Level (mm)	6080
Max Vertical Dig Depth (mm)	3160
Max Bucket Digging Force (kN)	36.6
Max Arm Digging Force (kN)	23.1

Hydraulic System	
Set Pressure (bar)	240
Pump Type - Rexroth	Variable x 2 + Gear x 2
1st Auxiliary Maximum Flow (l/min) / Pressure (bar)	105/206
2nd Auxiliary Maximum Flow (l/min) / Pressure (bar)	44/206

Swing System	
Boom Swing Angle (L/R)	30°/16°
Slew Speed (rpm)	9.6
Slew Motor	Axial Piston
Slew Brake	Wet Friction Plates

Undercarriage	
Traction Motor	Axial Piston
Traction Drive	Planetary
Traction Brake	Disc
Track Width (mm)	400
Ground Contact Length (mm)	1980
Ground Pressure (kpa)	33.1
Travel Speed (k/ph)	2.6-4.8
Maximum Gradeability	30°

Capacities	
Hydraulic System (l)	100
Fuel Tank (l)	70.2
Engine Lubrication (l)	9.5
Cooling System (l)	10

Health & Safety	
Noise / Sound Power Level (LwA)	98 dB
Vibration Hand Arm / Body m/sec <sup>2</sup>	≤2.5 / ≤0.5

**2 YEAR  
2,000 HOUR**

**WARRANTY**

Takeuchi machines come with a 2 year/2000 hour warranty as standard.

Before fitment of a hydraulic attachment, machine auxiliary pressure and flow should be accurately measured. For all lifting specifications please refer to the lift charts on the Takeuchi website or operator manual.

In accordance with our established policy of constant improvement, we reserve the right to amend these specifications at any time without notice. Photographs shown may feature non-standard equipment.

For more information locally contact:



SCAN ME

To find your local dealer

Takeuchi Mfg (UK) Ltd, Unit E2B Kingsway Business Park,  
John Boyd Dunlop Drive, Rochdale, Lancashire OL16 4NG  
info@takeuchi-mfg.co.uk www.takeuchi-mfg.co.uk

@TakeuchiUK

**TAKEUCHI**  
From World First to World Leader