

SPECIFICATIONS





BASIC SPECIFICATIONS

Type			Canopy	Cab	
MASS					
Operating mass	kg (lb)	Rubber crawlers	Standard arm	4970 (10955)	5085 (11210)
			Long arm	4980 (10980)	5095 (11235)
	kg (lb)	Steel crawlers	Standard arm	5150 (11355)	5265 (11605)
			Long arm	5160 (11375)	5275 (11630)
PERFORMANCE					
Bucket capacity (Standard bucket)	m ³ (cu. ft.)	Heaped		0.141 (4.98)	
		Struck		0.1015 (3.58)	
Slew speed	min ⁻¹ (rpm)			8.9 (8.9)	
Travel speed	km/h (mph)	Rubber crawlers	1st	2.8 (1.7)	
			2nd	5.0 (3.1)	
	km/h (mph)	Steel crawlers	1st	2.6 (1.6)	
			2nd	4.7 (2.9)	
Gradeability	(degrees)			30	
Gradeability (instantaneous**)	(degrees)			35	
Ground pressure	kPa (psi)	Rubber crawlers	Standard arm	28.2 (4.09)	28.9 (4.19)
			Long arm	28.3 (4.1)	28.9 (4.19)
	kPa (psi)	Steel crawlers	Standard arm	29.3 (4.25)	30.0 (4.35)
			Long arm	29.4 (4.26)	30.0 (4.35)
Noise level	dB (A)	Sound power level		LWA 95	
		Emission sound pressure level at the operator's position (ISO 6396,2008:)		LPA 69	

** : Max. 10 min. per hour



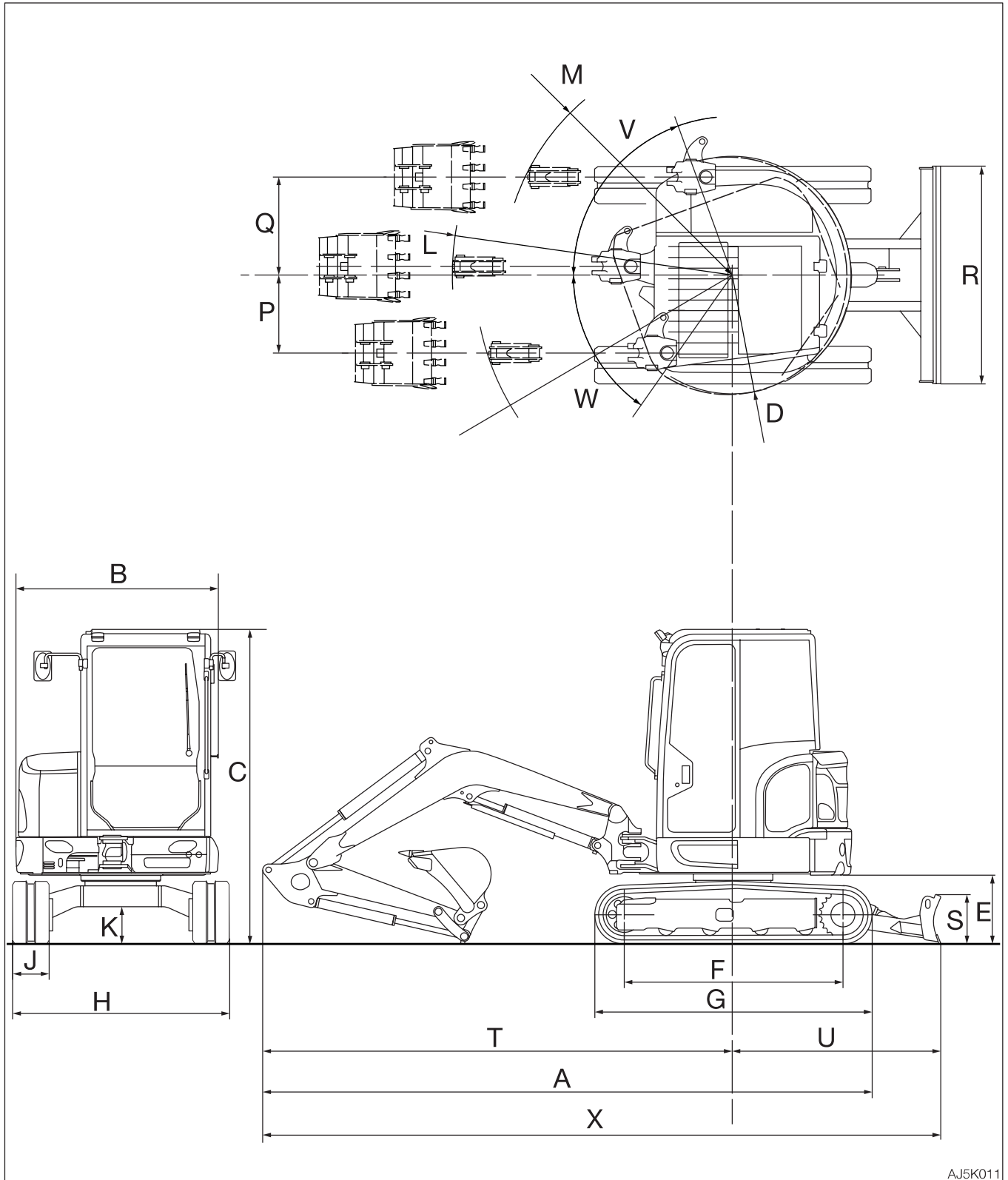
SPECIFICATIONS
BASIC SPECIFICATIONS

Type		Canopy	Cab
ENGINE			
Manufacturer and model		KUBOTA V2607-CR-E5B	
Rated output	Net (ISO 14396)	kW/min ⁻¹ (hp/rpm)	32.4/2000 (43.4/2000)
	Net (ISO 9249/ SAE J1349)	kW/min ⁻¹ (hp/rpm)	31.1/2000 (41.7/2000)
Displacement		ml (cu.in.)	2615 (159.6)
Amount of CO ₂ emission*		g/kWh	805.6
Starter		V-kW	12-2.5
Alternator		V-kW	12-0.84
Battery (IEC 60095-1)		V-A·h	12-72
CCA		A	710

*: The amount of CO₂ emission refers to the value obtained by testing the parent engine representing the engine type (engine family member) being used; it shall not guarantee the performance of the machine.



MACHINE DIMENSIONS



AJ5K011



SPECIFICATIONS
MACHINE DIMENSIONS

Unit: mm (inch)

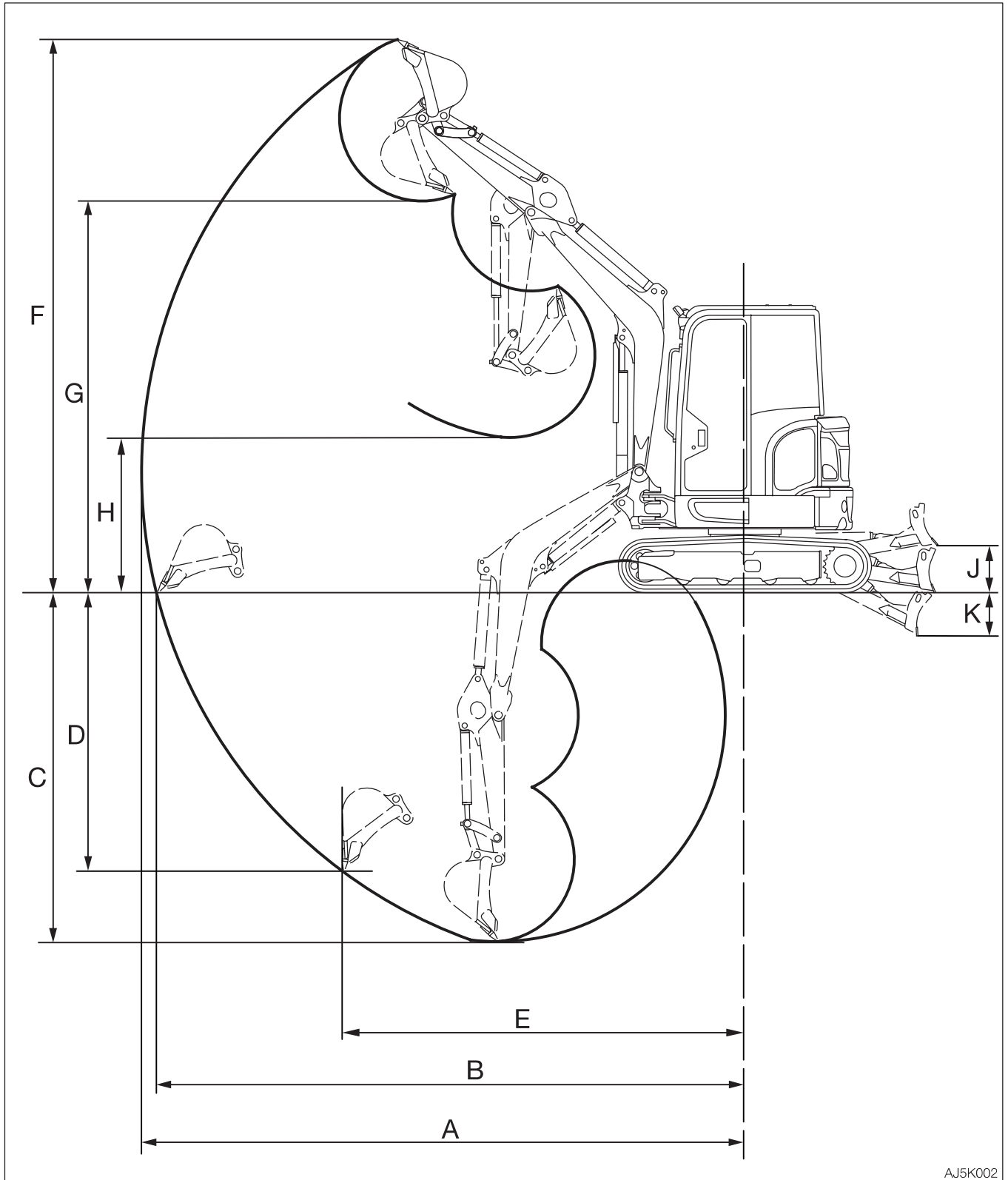
	Item	Standard arm		Long arm	
		Rubber crawlers	Steel crawlers	Rubber crawlers	Steel crawlers
A	Overall length	5365 (211.2)	5360 (211)	5390 (212.2)	5385 (212)
B	Upperstructure overall width	1735 (68.3)** 1775 (69.9)	←	←	←
C	Overall height	2565 (101)** 2540 (100)	2575 (101.4)** 2545 (100.2)	2565 (101)** 2540 (100)	2575 (101.4)** 2545 (100.2)
D	Slew radius	1075 (42.3)	←	←	←
E	Clearance height under upperstructure	605 (23.8)	595 (23.4)	605 (23.8)	595 (23.4)
F	Crawler base	1975 (77.8)	1970 (77.6)	1975 (77.8)	1970 (77.6)
G	Crawler overall length	2500 (98.4)	←	←	←
H	Crawler overall width	2000 (78.7)	←	←	←
J	Crawler shoe width	400 (15.7)	←	←	←
K	Ground clearance of undercarriage	335 (13.2)	325 (12.8)	335 (13.2)	325 (12.8)
L	Minimum radius of equipment and attachment	2480 (97.6)	←	2535 (99.8)	←
M	Minimum radius of equipment at maximum front offset	2020 (79.5)	←	2065 (81.3)	←
P	Offset distance of bucket (right swing)	725 (28.5)	←	←	←
Q	Offset distance of bucket (left swing)	920 (36.2)	←	←	←
R	Dozer blade width	2000 (78.7)	←	←	←
S	Dozer blade height	430 (16.9)	←	←	←
T	Front distance to axis of rotation	4120 (162.2)	4115 (162)	4145 (163.2)	4140 (163)
U	Dozer blade distance to axis of rotation	1720 (67.7) 1895 (74.6)*	1725 (67.9) 1895 (74.6)*	1720 (67.7) 1895 (74.6)*	1725 (67.9) 1895 (74.6)*
V	Boom swing angle (Left)	71°	←	←	←
W	Boom swing angle (Right)	55°	←	←	←
X	Overall length (dozer blade at rear)	5875 (231.3) 6040 (237.8)*	← 6045 (238)*	5900 (232.3) 6065 (238.8)*	← ←

*: With an angle dozer blade

** : Canopy



OPERATING RANGES



AJ5K002



SPECIFICATIONS
OPERATING RANGES

Unit: mm (inch)

	Item	Standard arm		Long arm	
		Rubber crawlers	Steel crawlers	Rubber crawlers	Steel crawlers
A	Maximum reach	5825 (229.3)	←	6065 (238.8)	←
B	Maximum reach at ground reference plane	5675 (223.4)	5680 (223.6)	5925 (233.3)	←
C	Maximum digging depth	3325 (130.9)	3335 (131.3)	3575 (140.7)	3585 (141.1)
D	Maximum vertical digging depth	2685 (105.7)	2690 (105.9)	2925 (115.2)	2935 (115.6)
E	Reach at maximum vertical digging depth	3850 (151.6)	←	3915 (154.1)	←
F	Maximum height of cutting edge	5410 (213)	5400 (212.6)	5580 (219.7)	5570 (219.3)
G	Maximum dumping height	3775 (148.6)	3770 (148.4)	3945 (155.3)	3935 (154.9)
H	Minimum dumping height	1465 (57.7)	1455 (57.3)	1220 (48)	1210 (47.6)
J	Dozer blade maximum lifting	435 (17.1) 445 (17.5)*	425 (16.7) 440 (17.3)*	435 (17.1) 445 (17.5)*	425 (16.7) 440 (17.3)*
K	Dozer blade maximum lowering	355 (14) 450 (17.7)*	365 (14.4) 455 (17.9)*	355 (14) 450 (17.7)*	365 (14.4) 455(17.9)*

*: With an angle dozer blade



LIFTING CAPACITIES

When an excavator is used to lift loads in Europe, it must comply with EN 474-1. Install the following devices, and then turn on the overload warning switch before starting the lifting operation:

- Lifting device
- Lifting safety device

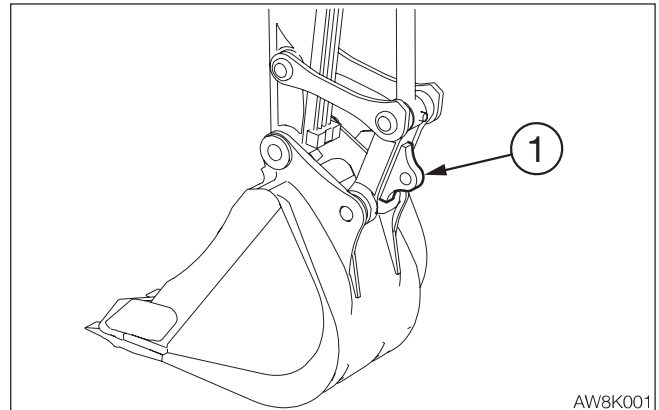
The lifting safety device must include two emergency shut-off valves, one for the boom and the other for the arm.

If the blade is used as an outrigger when lifting loads, the blade cylinder must be equipped with an emergency shut-off valve. Refer to “Lifting safety device (If applicable)” on page 2-128.

Rated lift capacity chart

- The loads in the charts do not exceed 87% of hydraulic lift capacity or 75% of tipping load.
- Figures marked with an asterisk (* , ※) are hydraulically-limited capacities.
- The bucket mass is excluded.
- The mass of slings and any other lifting devices shall be deducted from the rated load to determine the net load that may be lifted.
- The load point is the bucket hinge pin.
- The bucket cylinder is fully extended.
- Unit: kg (lbs)

Lifting device (If applicable)



When lifting loads, install the sling on the lifting device (1).

Load hooking system

A load hooking system must be provided with the following capabilities.

1. A system which can withstand two-and-a-half times the rated lift capacity no matter at what position the load is applied.
2. A system that poses no risk of the lifted load falling from the hooking device. For example, equipped with a hook slippage prevention device.
3. A system that poses no risk of the hooking system slipping from the hoe attachment.



Inspection before lifting loads

Before lifting loads, inspect the following items to ensure there is no abnormality:

- Inspect for any damage to the attachment, hose or lifting device.
- Confirm that the overload warning device operates.

Turn on the overload warning switch, and then fully raise the boom. If the horn is sounded, the overload warning device is normal.



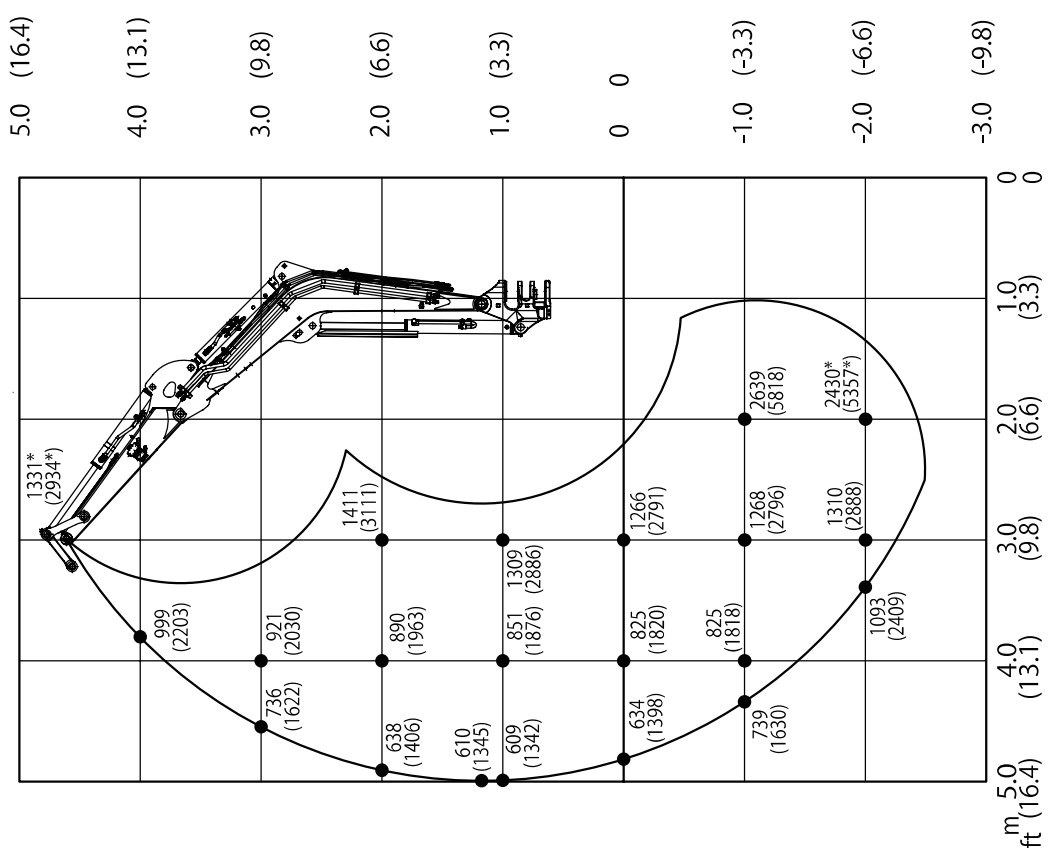
WARNING

- Do not attempt to lift or hold any load that is greater than these rated values at their specified load radii and height.
 - The rated lift capacities are based on the machine being level and situated on a firm supporting surface. For safe lifting, the operator is expected to make due allowance for the particular job conditions such as soft or uneven ground, non-level condition, load to the machine sides, hazardous conditions, experience of personnel, etc. The operator and other personnel should fully acquaint themselves with the operator's manual furnished by the manufacturer before operating this machine. When operating the machine, the safety rules of the equipment must also be followed.
 - Do not travel while lifting a load; It is very dangerous.
 - Do not lift loads when the boom is being swung to the right or left. Doing so could cause the machine to tip over.
-



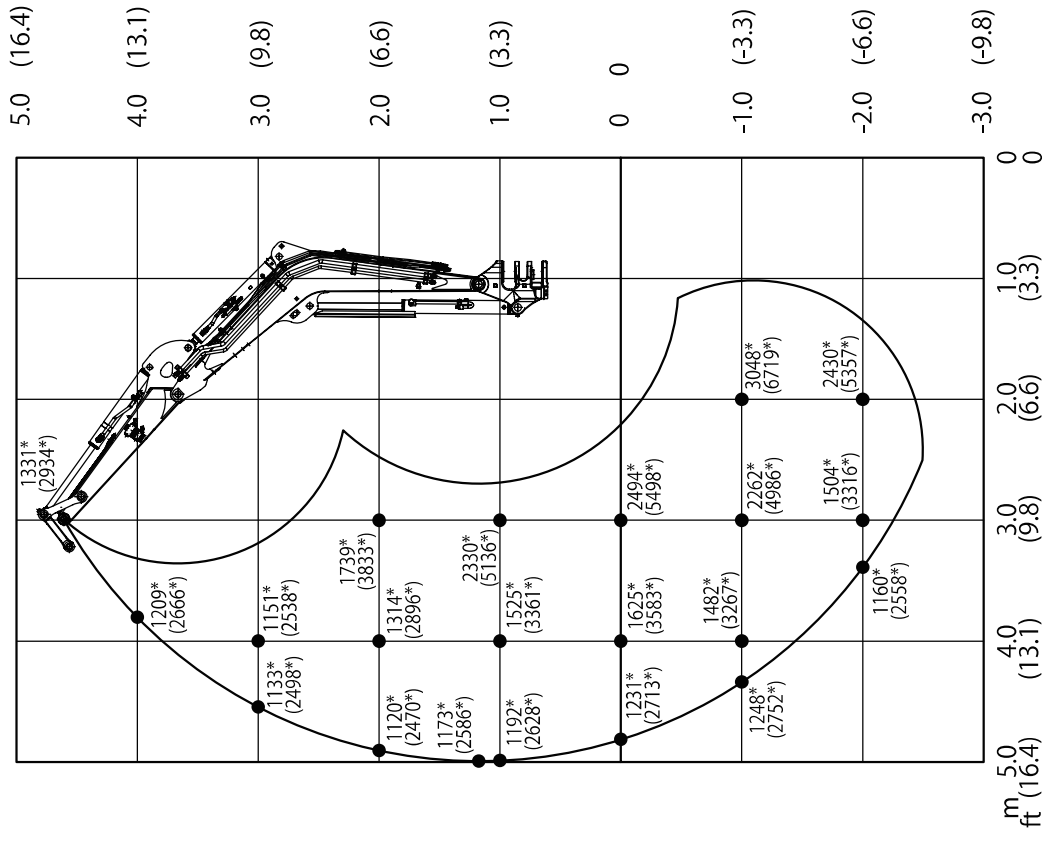
<Cab> Standard arm

Over Front ; Dozer Blade Up



Units: kg(lbs.)

Over Front ; Dozer Blade Down
(If equipped with an emergency shut-off valve)

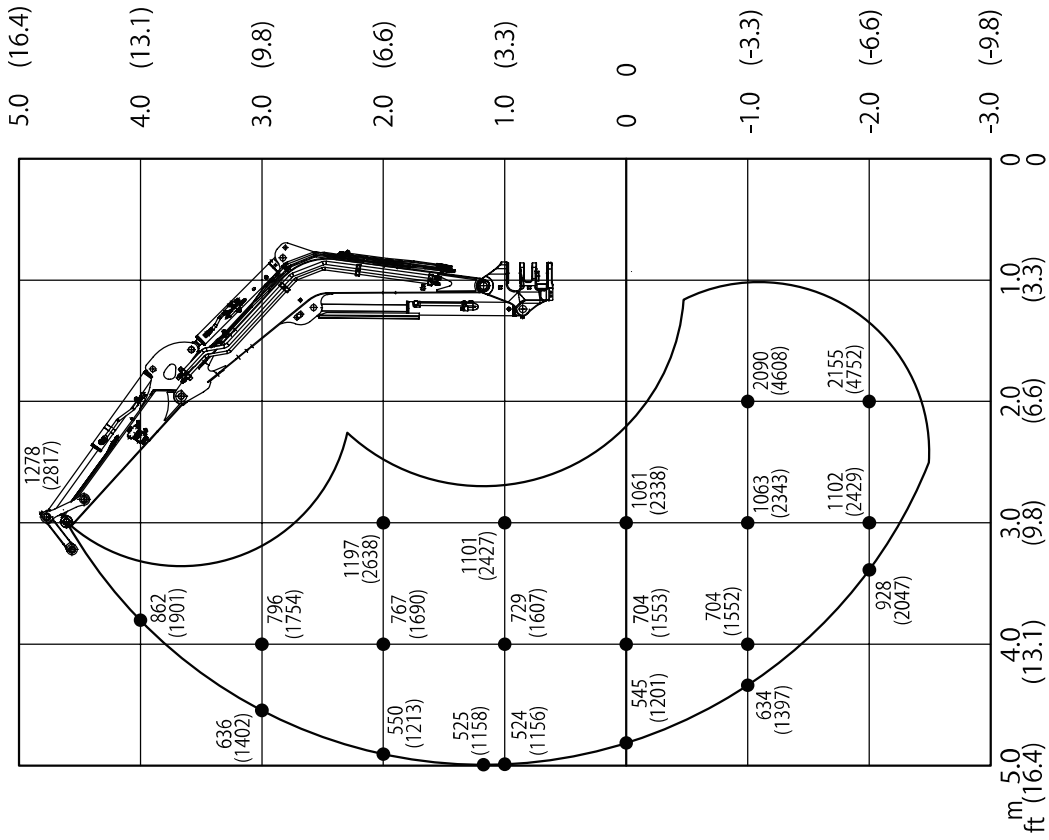




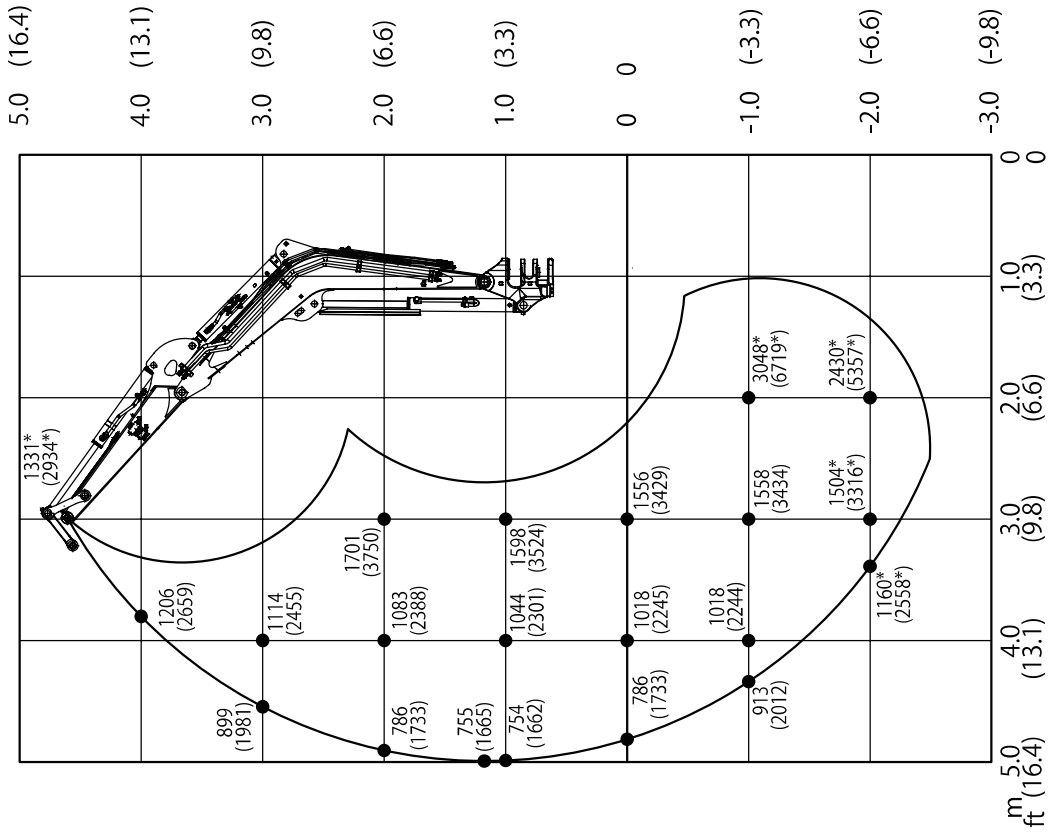
SPECIFICATIONS
LIFTING CAPACITIES

<Cab> Standard arm

Over Side



Over Rear

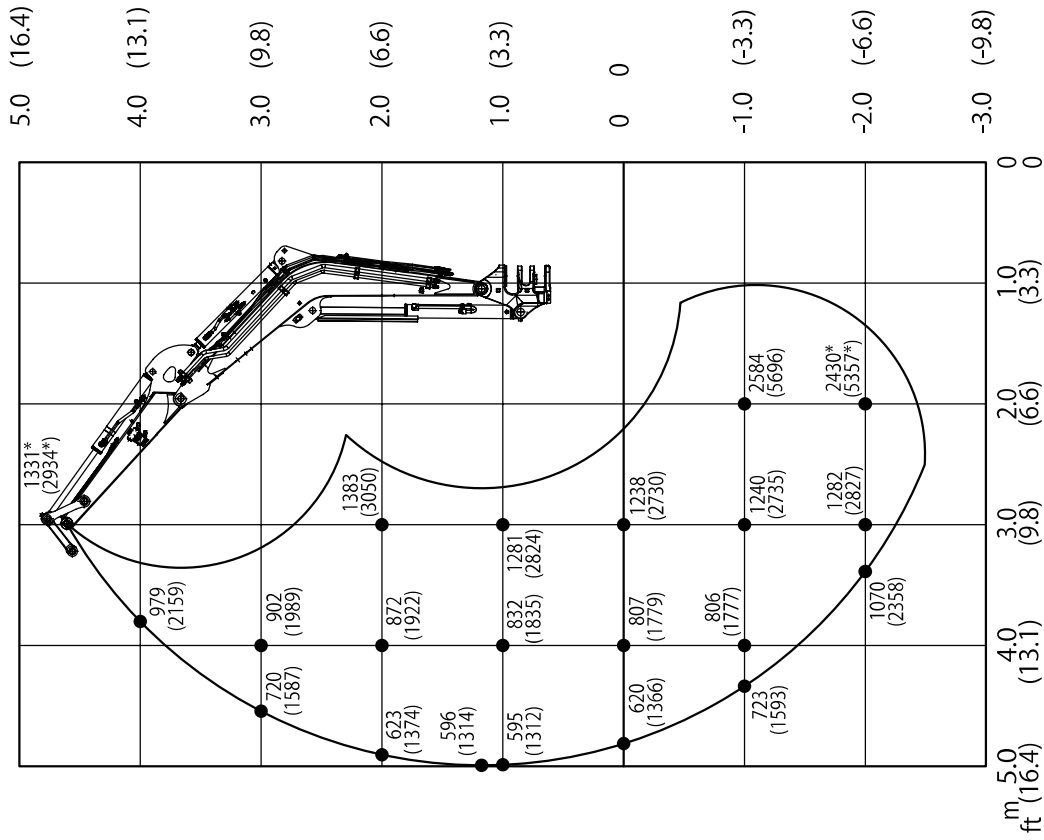


Units: kg(lbs.)

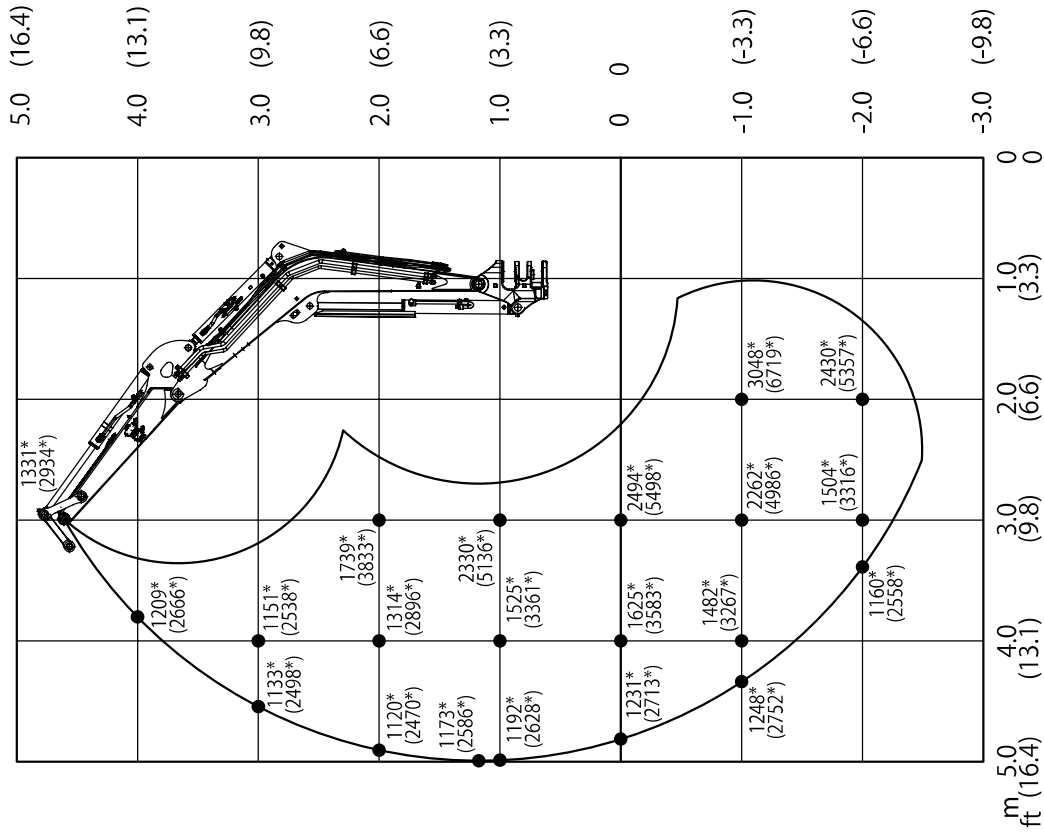


<Canopy> Standard arm

Over Front ; Dozer Blade Up



Over Front ; Dozer Blade Down
(If equipped with an emergency shut-off valve)



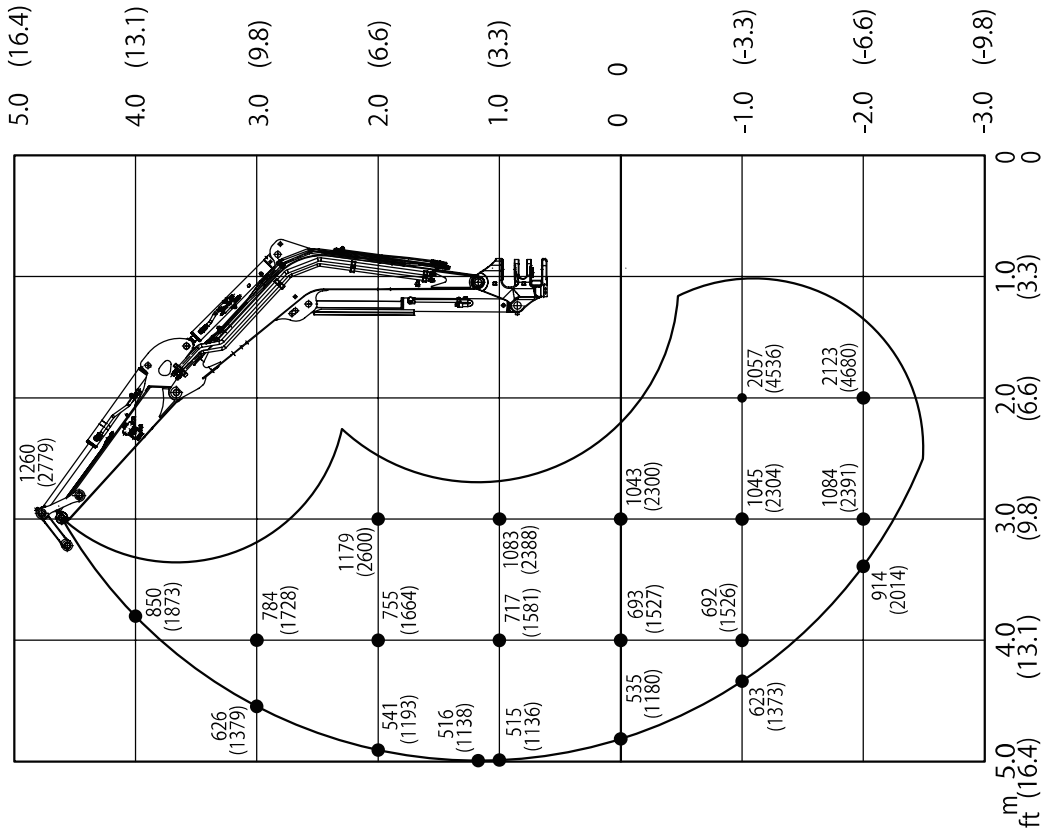
Units: kg(lbs.)



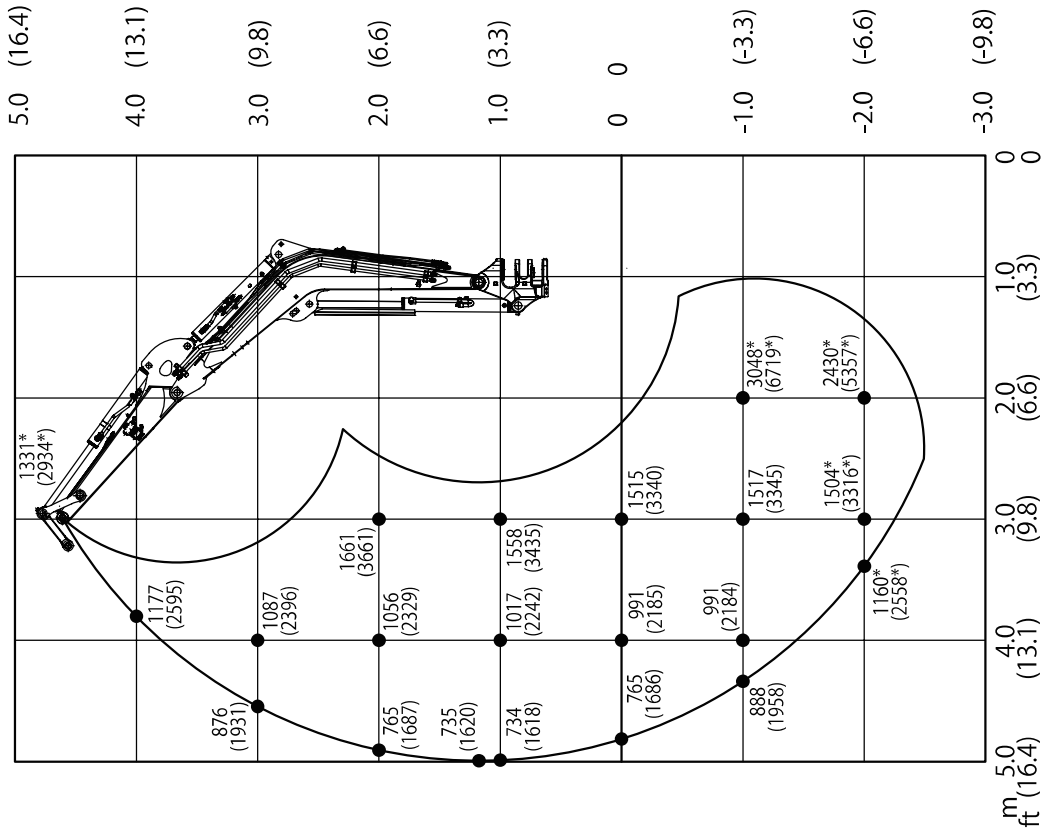
SPECIFICATIONS
LIFTING CAPACITIES

<Canopy> Standard arm

Over Side



Over Rear

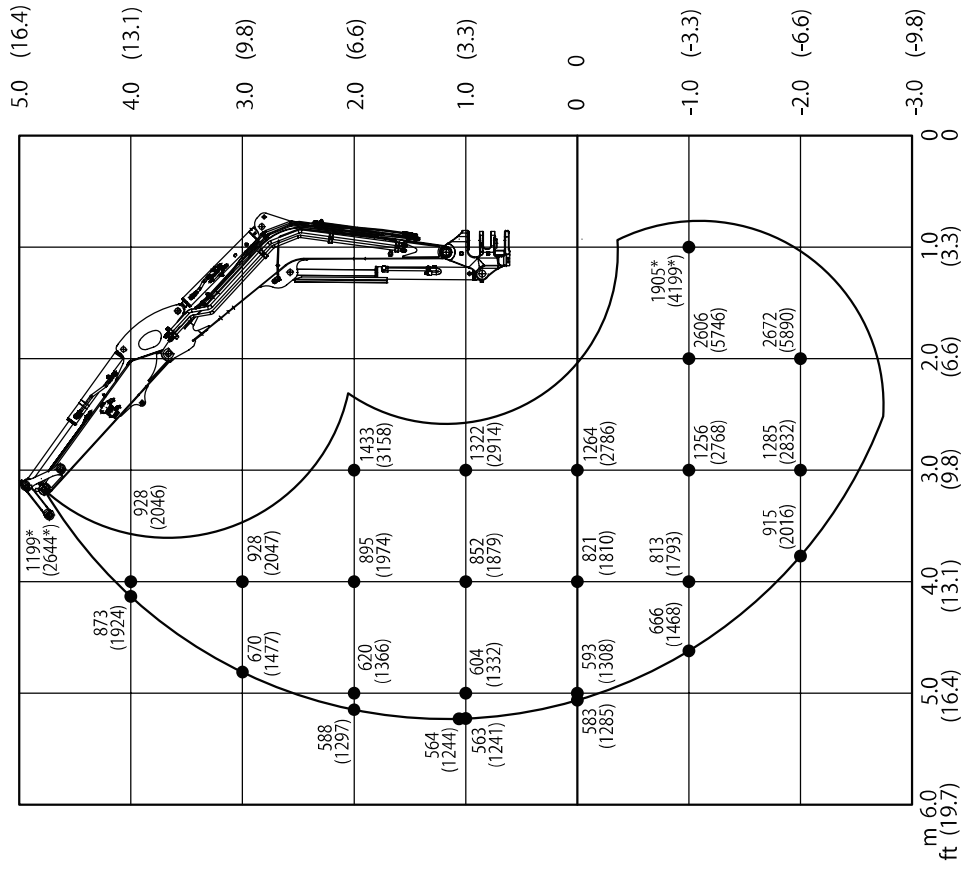


Units: kg(lbs.)

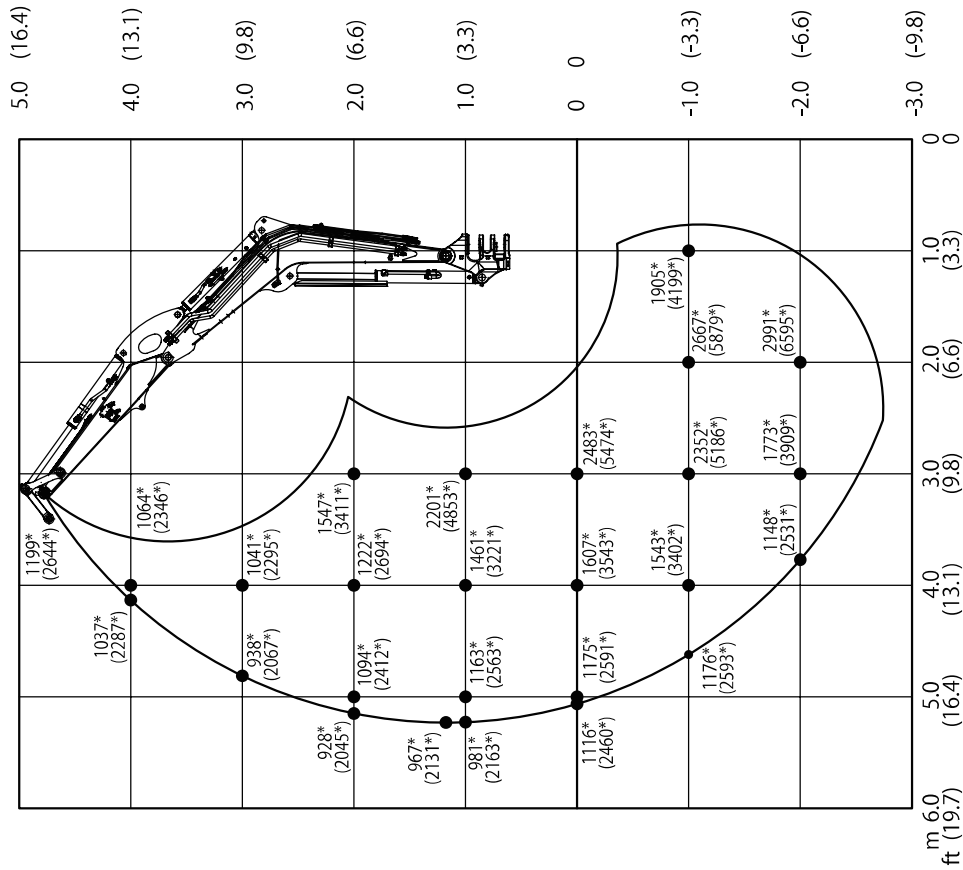


<Cab> Long arm

Over Front ; Dozer Blade Up



Over Front ; Dozer Blade Down
(If equipped with an emergency shut-off valve)

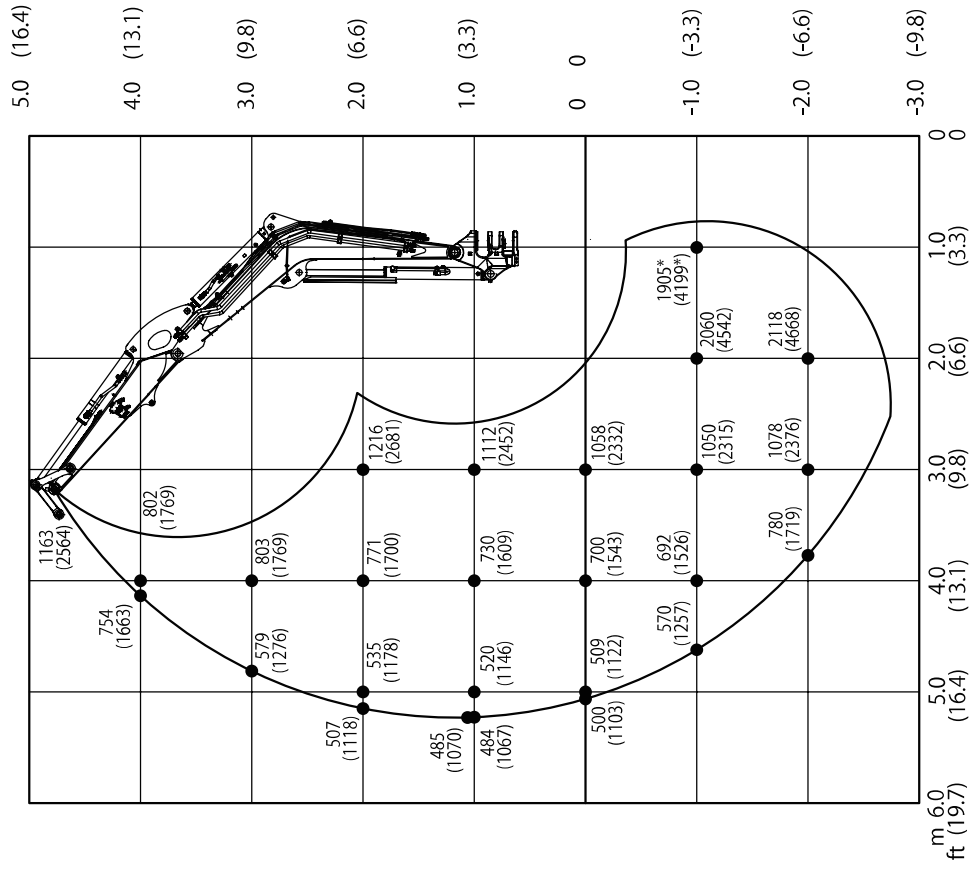




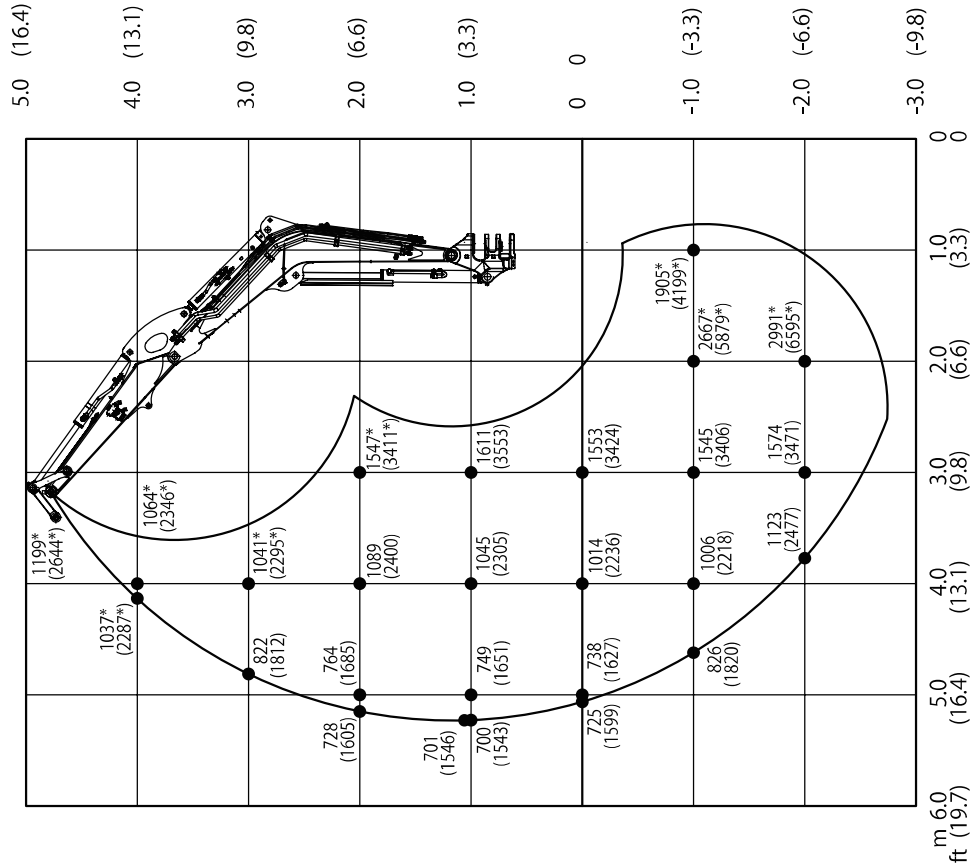
SPECIFICATIONS
LIFTING CAPACITIES

<Cab> Long arm

Over Side



Over Rear

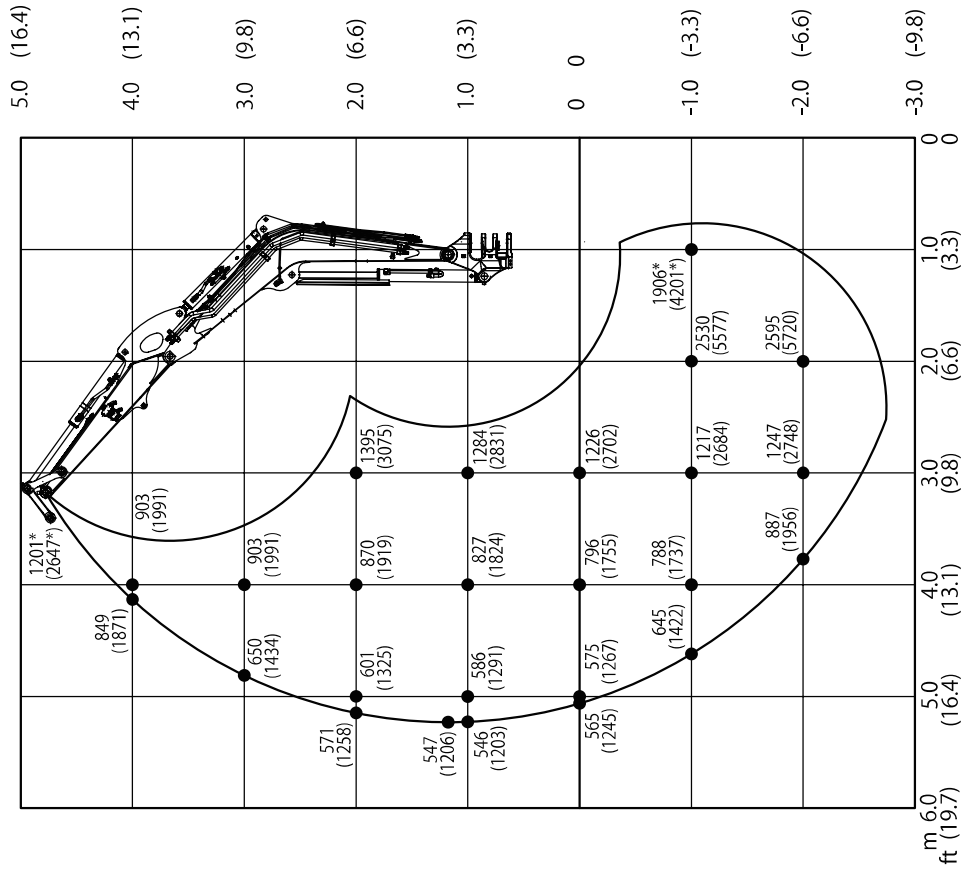


Units: kg(lbs.)

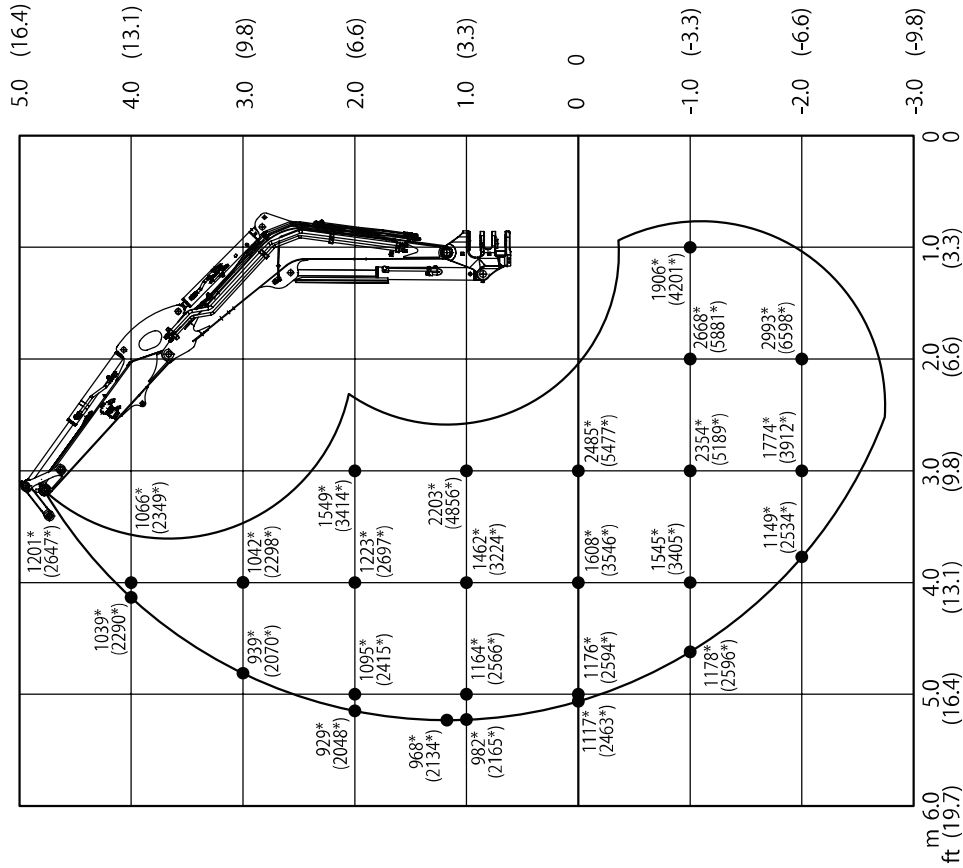


<Canopy> Long arm

Over Front ; Dozer Blade Up



Over Front ; Dozer Blade Down
(If equipped with an emergency shut-off valve)



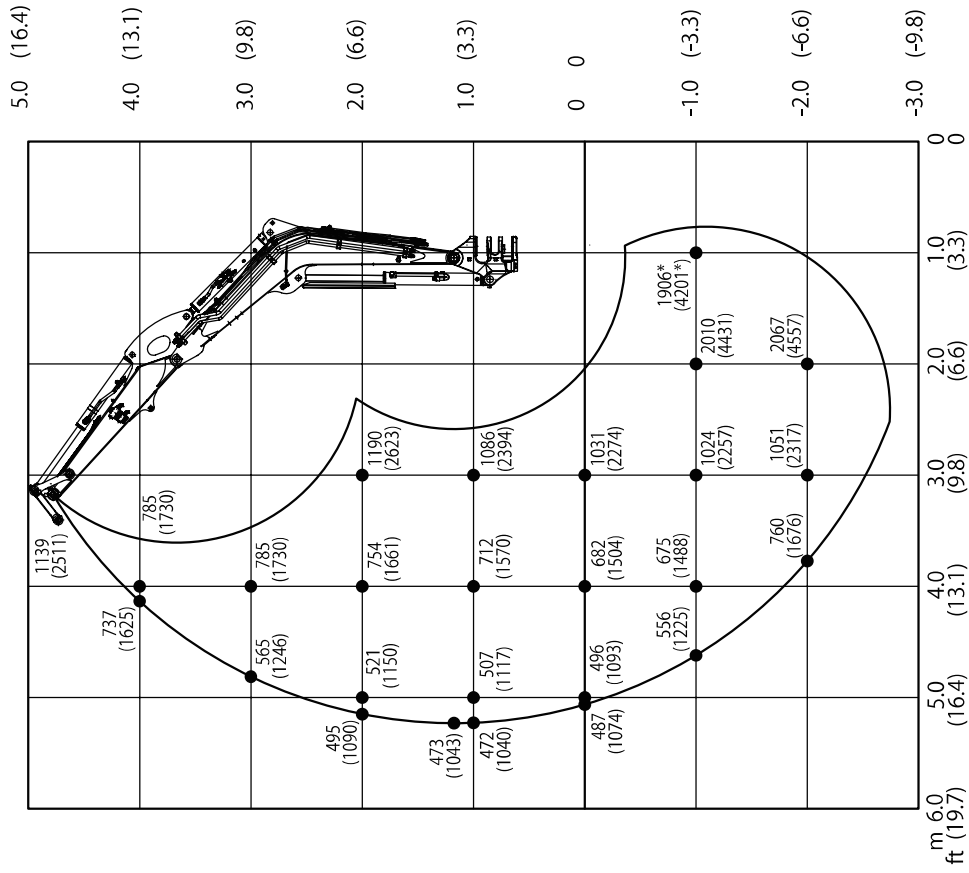
Units: kg(lbs.)



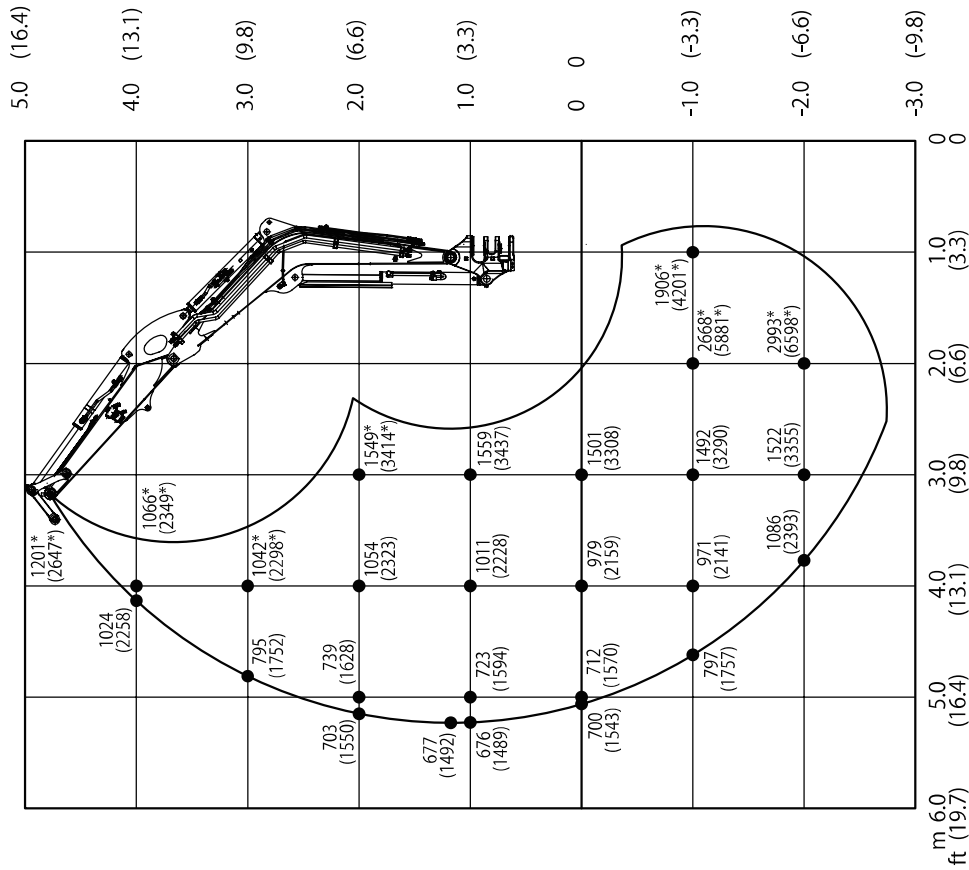
SPECIFICATIONS
LIFTING CAPACITIES

<Canopy> Long arm

Over Side



Over Rear



Units: kg(lbs.)

