

TB1140
Series 2



COMPACT EXCAVATOR

TAKEUCHI
Japanese for reliability

The New TB1140 Series 2 powerful excavating and breakout force in a compact 15 tonne machine size.

The TB1140 Series 2 combines all the proven characteristics of Takeuchi excavators - smooth operating hydraulics, powerful machine performance and excellent serviceability.

The newly designed TB1140 meets the growing demand from contractors and plant hire for the popular Takeuchi brand in a larger weight class.

It comes complete with the latest Tier 4 powerful Isuzu turbocharged engine for more power and greater torque, along with a well proven high performance hydraulic system with improved power, cycle times and efficiency.

The TB1140 Series 2 is part of Takeuchi's on-going commitment to machine development, environmental efficiency, operator comfort, safety and improved machine ergonomics.

POWERFUL BREAKOUT FORCE & OFFSET FLEXIBILITY

The TB1140 features massive breakout force essential for 15 tonne excavating, 98.7kN bucket breakout force and 77 kW of power.

The offset boom flexibility, both left and right, provides massive versatility when working in restricted areas, without constantly repositioning the machine.

The long reach at ground level to 8325 mm and digging depth to 5270 mm provides excellent operation parameters .

With improved hydraulic flows including hi-flow now as standard the TB1140 can operate with a greater range of attachments.



Operators enjoy the smooth operation and powerful digging force of a TB1140. The isolated cab provides all day operating comfort essential for rugged tough terrain and groundworks.

Regarded as a high specification machine owner operators really appreciate the power, performance and reliability of the TB1140.

For a large sized machine the TB1140 still enjoys the precise proportional hydraulic controls often required for critical utilities applications and environmental areas.

With a compact track footprint of just 2490 x 3600mm combined with an offset boom, the TB1140 gets into operating spaces other conventional 15 tonne machines can't.

With a reputation for reliability, Japanese build quality makes all the difference.



SAFETY

Boom and arm holding valves with audible warning as standard on the TB1140, to help maintain load control in the event of a hose failure.

Front mounted and side work lights improve job site safety and new reversing camera with in-cab display.

Cast steel wrap around protective counterweight protects the engine compartment from accidental damage when working in confined areas.

Efficient braking with spring-applied, hydraulically released disc type parking brakes are installed on travel slew motors for safe and reliable braking performance.

HEAVY DUTY DOZER DESIGN

A heavy duty dozer 550mm high offers increased operating range for efficient on-site finishing and grading. The TB1140 has two speed tracking with auto step down when dozing. The wide dozer has two well protected cylinders for added durability.





ENVIRONMENTAL SENSITIVITY

New series Tier 4 engine is designed to meet the most stringent worldwide exhaust emission standards and also provides significantly reduced noise levels for minimal disturbance in urban areas.

Full opening rear engine compartment allows daily machine servicing to be conveniently accomplished from ground level.



SERVICEABILITY

The fuel system automatically bleeds air from fuel lines on a fuel-depleted machine saving on time, tools and unnecessary service calls.

Hydraulic test ports are conveniently located for ease of hydraulic system diagnostic testing.

Auto-stop refuelling pump makes it easier for operators with room for grease gun storage for daily maintenance.



RELIABLE TRACK DESIGN

Triple flange rollers, maintenance free bearings and larger shaft all add to tracking performance for rough terrain to provide many hours of continuous service.

Automatic track tensioning system - minimises operator downtime and maximises longevity of tracks and rollers.

PERFORMANCE

- Powerful new diesel engine provides *increased output* to 77 kW.
- Simultaneous operation of swing and digging function and two speed travel gives *faster cycle times*.
- Added offset position RH 70° and LH 50° gives *massive flexibility* on restricted sites.

OPERATION

- Auxiliary hoses are easy to attach and well positioned high up the dipper arm for *added protection*.
- Cushioned main boom and swing cylinders for *smooth operation*.
- *Well positioned Enhanced Visual Display Unit* - warning indicators, rpm, hour meter, fuel, battery charge, temperature, oil pressure and maintenance alerts.

SAFETY & SERVICE

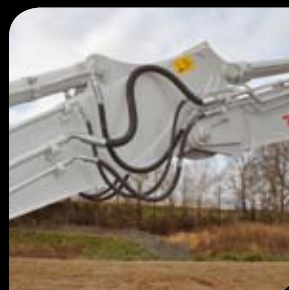
- *As standard service features:* Safe Drain engine oil system, fuel gauges in both cab and filler point, fuel drain system, hydraulic oil cooler, maintenance free battery.
- Boom and cab mounted work lights provide for *all types of working conditions*.
- Enhanced 100% steel wraparound frame *protects key components*.

OPTIONS

- TKB802-S Breaker
- Hydraulic Hitches
- Bucket sizes from 600 – 1200mm digging, 1800mm ditch
- Rubber Tracks

DEALER OPTIONS

- Fixed orange beacon
- Fixed green seat belt beacon
- Cab guards





MAXIMUM ALL DAY COMFORT WITH A HIGH VISIBILITY CAB

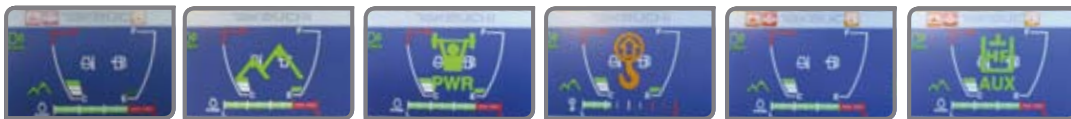
Multi-adjustable suspension seat provides for long days of productive operation with minimal operator fatigue.

Roomy comfortable cab with excellent storage and foot room. Good ergonomic controls positioned for ease of access.

Heater / air conditioner provides a comfortable operating environment in all climates.

Isolated mounted ROPS/TOPS/FOPS cab minimises noise levels and vibration.

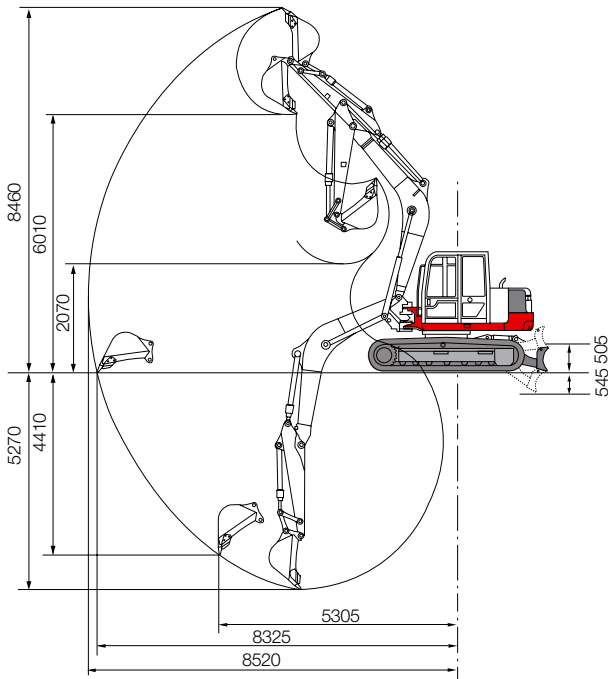
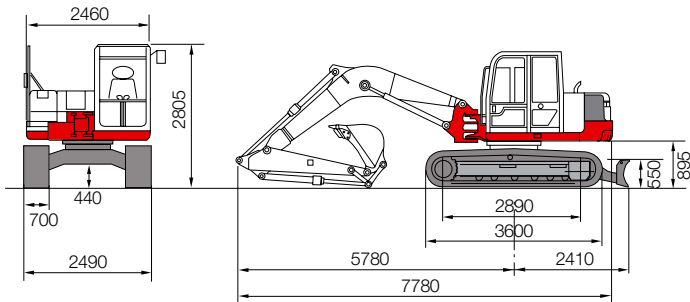
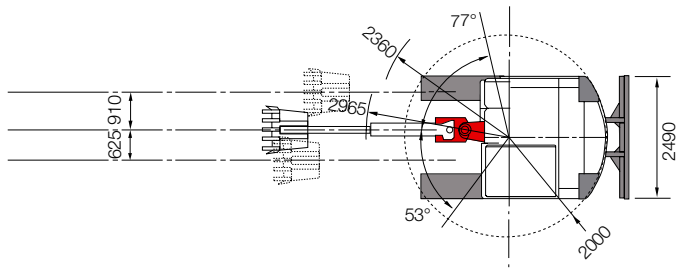
The operators station gives good all round visibility, with a new reversing camera and in-cab display.



EASY OPERATION & CONTROLS

- Hydraulic attachments are operated by momentary push button or proportionally controlled by the slider switch on the joystick.
- Auto decal function helps reduce fuel consumption when the excavator is temporarily idled.
- Engine accelerator installed on right hand console.
- Automatic two speed travel shifts into high torque mode when turning, pushing or travelling over inclines.
- Boom swing is operated by a foot pedal.
- Travel motors are equipped with shock-less valves for smooth start and stop.





TB1140 Series 2

Standard UK Specification
Middle Arm - Steel as Standard (Rubber Track option)

Engine	
Make	Isuzu
Model	AM-4JJ1XZSB-01
Rated Output (kW)	77 / 2000
Maximum Torque (Nm)	385
Cylinders	4
Displacement (cc)	2999
Electrical System	24 VOLT

Dimensions & Weight	
Operating weight (bucket, hitch fuel) kg	15400
Length (Transporting) (mm)	7780
Width (mm)	2490
Height (mm)	2805 (2815)
Ground Clearance (mm)	440 (475)
Front Swing Radius (mm)	2965
Slew Radius (mm)	2000
Dozer Blade (W x H) (mm)	550 x 2490

Operating Information	
Max Digging Depth (mm)	5270 (5235)
Max Dump Height (mm)	6010 (6045)
Max Reach at Ground Level (mm)	8325
Max Vertical Dig Depth (mm)	4410 (4375)
Max Bucket Digging Force (kN)	98.7
Max Arm Digging Force (kN)	64.9

Hydraulic System	
Set Pressure (bar)	34.3
Pump Type	Variable P1 + P2 + Gear P3 + P4
Hydraulic Pump Flow Aux port (l/min)	112/224

Swing System	
Min Front Offset Swing (mm)	2360
Tail Swing (mm)	2000
Boom Swing Angle (R/L)	77°/53°
Slew Speed (rpm)	13.8
Slew Motor	Piston Motor
Slew Brake	Wet Friction Plate

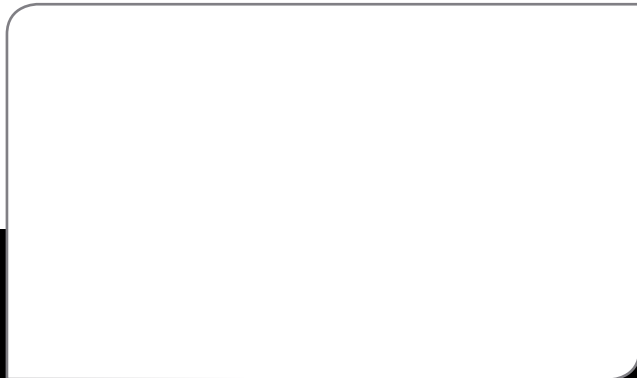
Undercarriage	
Traction Motor	Piston Motor
Traction Drive	Epicyclic Reduction
Traction Brake	Wet Friction Plate
Track Width (mm)	700
Ground Contact Length (mm)	2890 (2900)
Ground Pressure (kpa)	46.9 (45.3)
Travel Speed (k/ph)	2.8 - 5 (3 - 5.3)
Maximum Gradeability	35

Capacities	
Hydraulic System (l)	250
Fuel Tank (l)	233
Engine Lubrication (l)	17
Cooling System (l)	18.5

OPTIONS: Takeuchi hydraulic breaker, buckets and hydraulic hitches.

For more information locally

call us direct, or contact:



Takeuchi Mfg (UK) Ltd, Unit E2B Kingsway Business Park,
John Boyd Dunlop Drive, Rochdale, Lancashire OL16 4NG
Tel: 01706 657 722 Fax: 01706 657 744

Southern Depot at 20 Colthrop Business Park
Colthrop Lane, Thatcham, Newbury, Berks RG19 4NB
Tel: 01635 877 196 Fax: 01635 877 195

www.takeuchi-mfg.co.uk Email: sales@takeuchi-mfg.co.uk

1/2016

Takeuchi machines come with a 2 year/2000 hours warranty as standard. Warranty exceptions to 1 year; fuel injection systems, electrical components, paint work.

In accordance with our established policy of constant improvement, we reserve the right to amend these specifications at any time without notice. Photographs shown may feature non-standard equipment.

TAKEUCHI

Japanese for reliability